

MESA18-0085Y3
R134a
24 V DC
VARIABLE SPEED (2100-6000 rpm)



Brushless DC Variable Speed Compressor Technical Data Sheet

General Information

Compressor Part Number	MESA00001	1/4" (6.54 mm) ID Suction 3/16" (4.95 mm) ID Discharge
Compressor Drawing	DCMX44	
Controller	025F0362	
Controller Drawing	DGMX0089	
Wiring Diagram	DEMX0058	

Design

Number of Cylinders	1
Total Displacement	1.4 cm ³ (0.085 in ³)
Oil Quantity	40 cc
Oil Type	POE - 170 cSt
Weight	1.02 kg / 2.25 lb

Application Information

Application	HBP, A/C
Refrigerant	R134a
Evaporator Temperature Range	-25° C to 20° C (-13° F to 68° F)
Condenser Temperature Range	8.6° C to 72° C (47.5° F to 162° F)
Maximum Discharge Temperature	115° C (239° F)
Maximum Compression Ratio	13:1
Minimum Compressor Cooling	1 m/s airflow over compressor

Rated Performance

Application	Speed	Capacity		Power	Efficiency	
		Watts	BTU	Watts	COP	EER
HBP	2100	106	360	49	2.14	7.30
	2640	143	489	56	2.55	8.70
	3480	191	652	67	2.87	9.80
	4320	243	830	79	3.08	10.50
	5160	280	956	93	3.02	10.30
	6000	316	1080	109	2.90	9.91

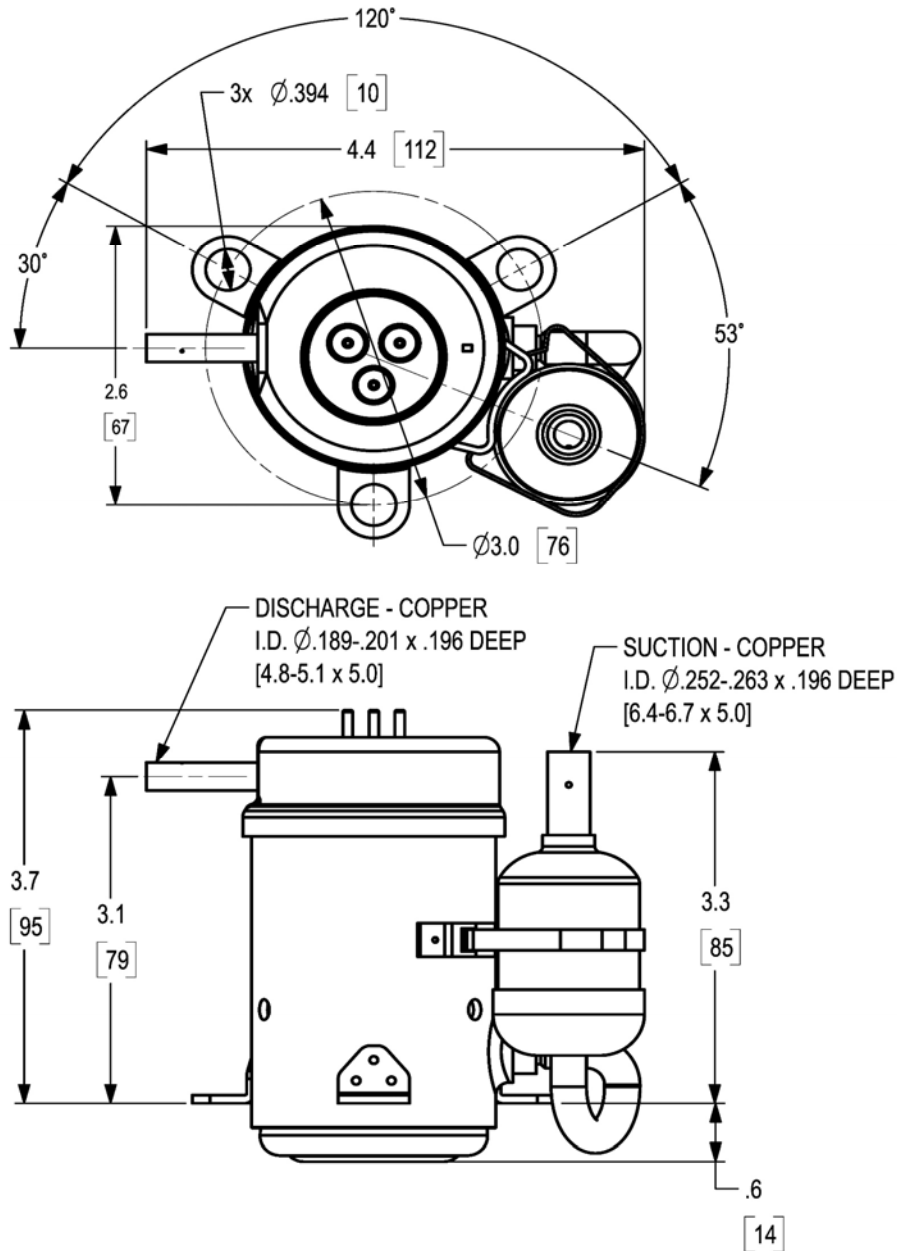
Rating Condition

	HBP	
Condensing Temperature	130°F	(54.4°C)
Evaporating Temperature	45°F	(7.2°C)
Return Gas Temperature	95°F	(35.0°C)
Liquid Temperature	115°F	(46.1°C)
Ambient Temperature	95°F	(35.0°C)
Compressor Cooling	1 m/s air cooling	
Controller	025F0362	

MESA18-0085Y3



Compressor Dimensions



Controller Configuration

