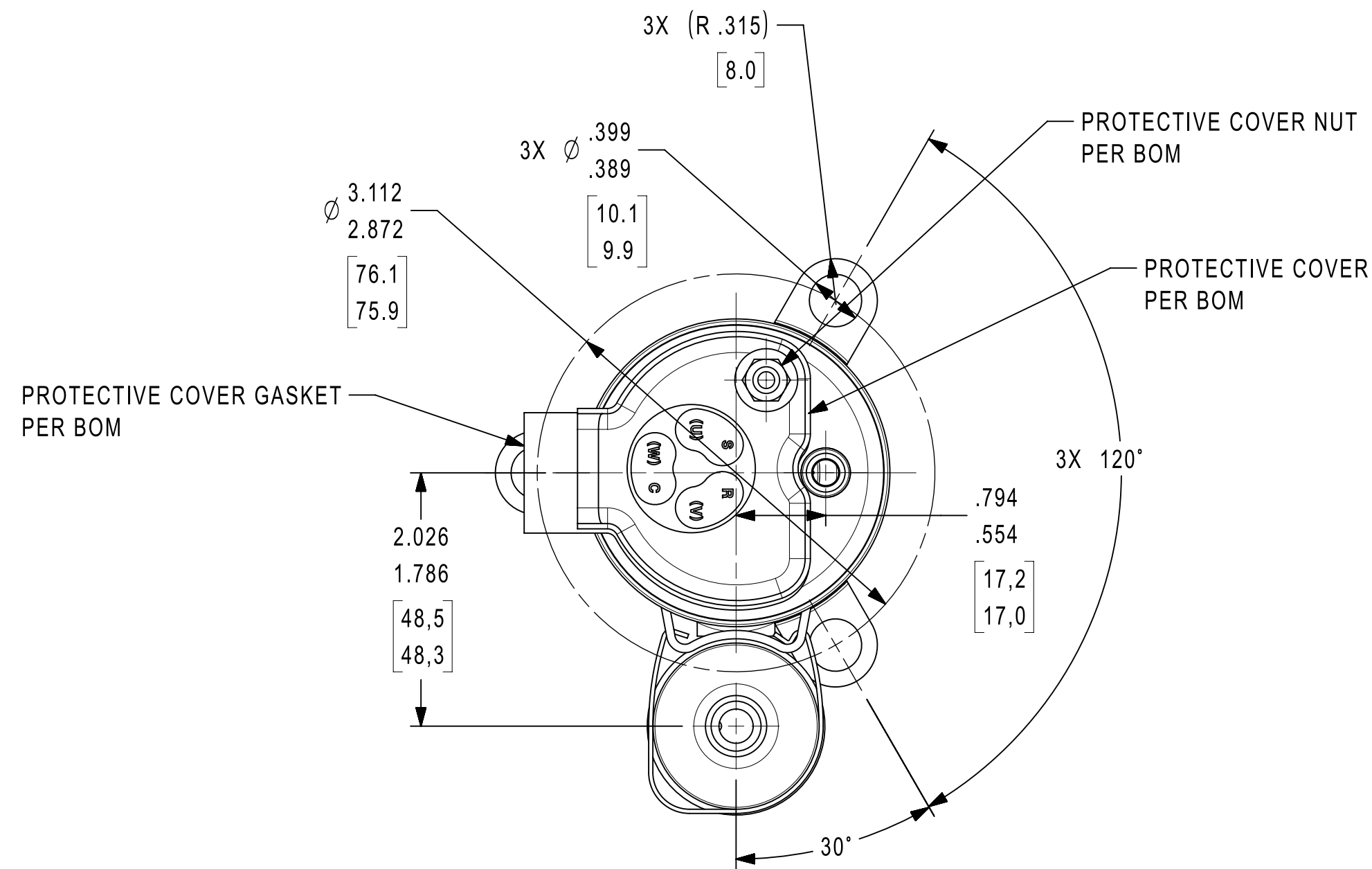


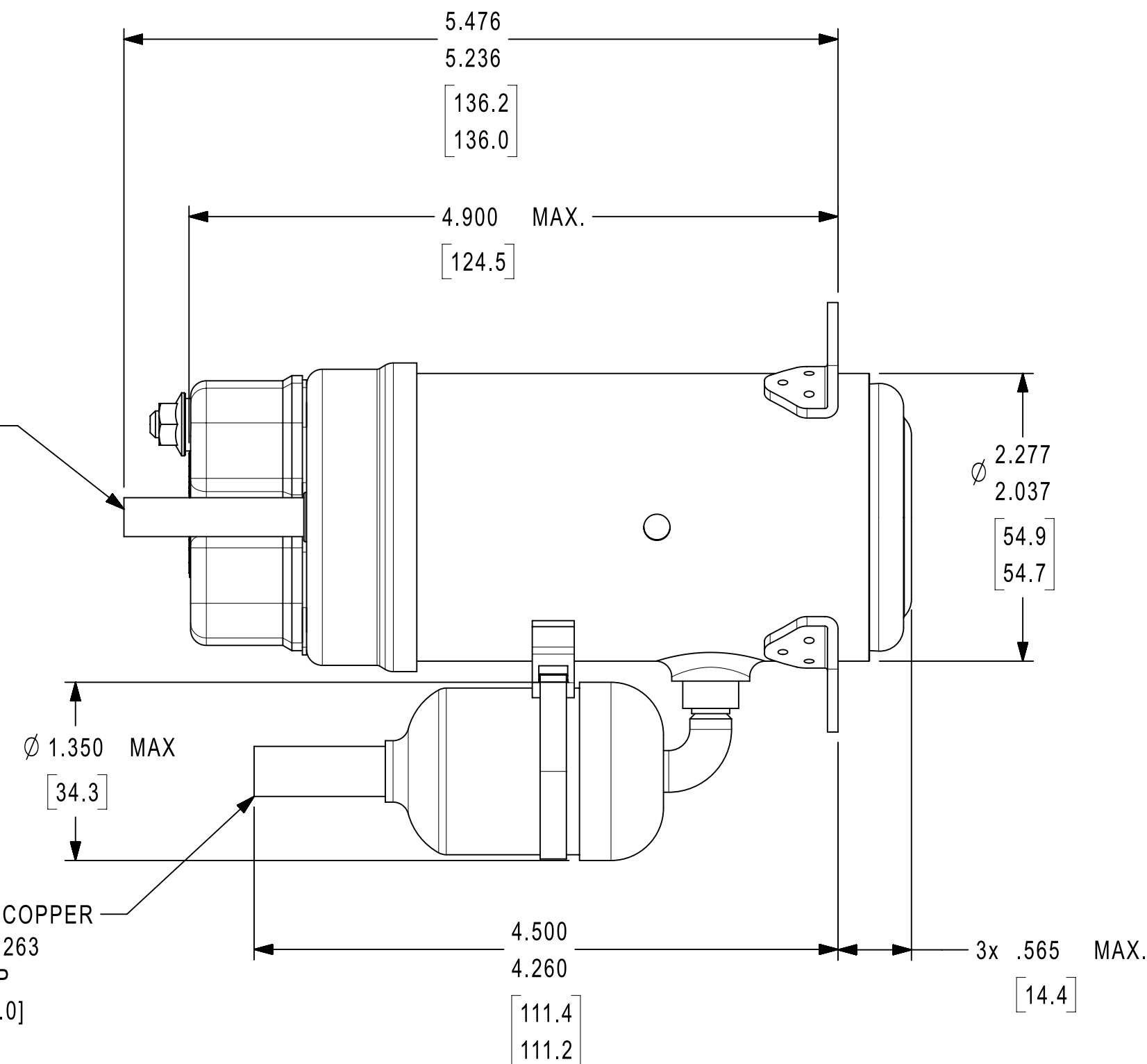
DRAWING NUMBER	COMPRESSOR MODEL
DCMX43	MESAXX-0146YX

DWG NO.
DCMX43



DISCHARGE - COPPER
I.D. \varnothing .189-.201
x .196 DEEP
[4.8-5.1 x 5.0]

SUCTION - COPPER
I.D. \varnothing .252-.263
x .196 DEEP
[6.4-6.7 x 5.0]



NOTE:

1. PROTECTIVE COVER, PROTECTIVE COVER GASKET AND PROTECTIVE COVER NUT, ASSEMBLED IF CALLED FOR ON THE BILL OF MATERIALS.
2. TORQUE PROTECTIVE COVER NUT TO 8.7-17.5 IN-LBS [10-20 KGF-CM].

ENGLISH

Q.A. SYMBOLS

- ★ = CATEGORY I
- ▲ = CATEGORY II
- = CATEGORY III
- = CATEGORY IV

MX - MESA

REL		EC08036	---	DATE	---	DWS CODE		DESCRIPTION		SALES COMPRESSOR		THIS PRINT SUPERSEDES ALL PRINTS PRIOR TO	
LT		LC	---	DATE	---	DWN		RDS		CK.		APR.	
---		---	---	---	---	26SEP17		ON FILE		ON FILE		SCALE 1=1 & NOTED	
---		---	---	---	---	MATERIAL		NOTED		MASTERFLUX		DWG NO. DCMX43	