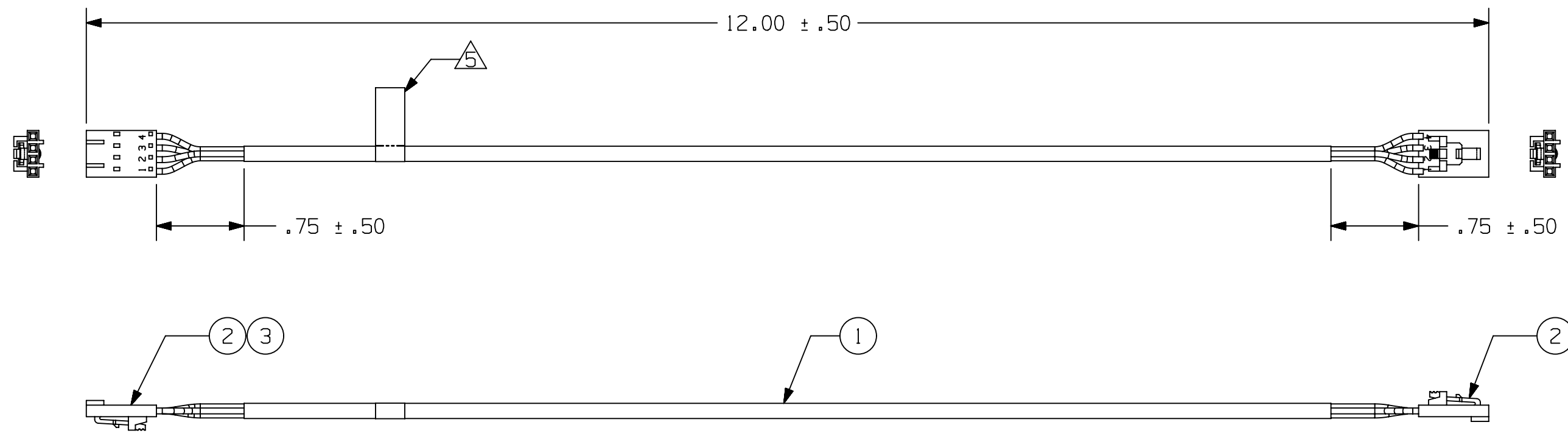


DWG NO.
040A0162

PIN #	WIRE COLOR
4	BLACK
3	WHITE
2	GREEN
1	RED

PIN #	WIRE COLOR
4	BLACK
3	GREEN
2	WHITE
1	RED



NOTES:

- REFER TO 040A0162 BOM FOR ITEM DESCRIPTIONS.
- CONNECTION BETWEEN WIRE AND TERMINAL MUST WITHSTAND 10 LB PULL TEST.
- ALL WIRE STRANDS MUST BE CONTAINED BY TERMINAL.
- LABEL MATERIAL MUST BE U.L. LISTED.
- ▲ MASTERFLUX PART NUMBER AND REVISION MUST BE ON ASSEMBLY.
- ▲ MUST COMPLY WITH T.C.Co. GLOBAL SPEC 08.

ENGLISH

Q.A. SYMBOLS

- ★ = CATEGORY I
- ▲ = CATEGORY II
- = CATEGORY III
- ◆ = CATEGORY IV

MX

EC95724 UPDATED BOM, ADDED WIRE COLOR CHARTS		RDS 21APR20	----	DATE	THIS DRAWING OR PRINT (1) IS THE PROPERTY OF TECUMSEH PRODUCTS COMPANY (TECUMSEH) AND CONTAINS PROPRIETARY AND CONFIDENTIAL INFORMATION BELONGING TO TECUMSEH. IT IS TO BE USED ONLY BY THE RECIPIENT ON THE EXPRESS AND SPECIFIC CONDITION THAT NEITHER IT NOR THE INFORMATION CONTAINED THEREON OR DISCLOSED THEREIN SHALL BE REPRODUCED, COPIED, REPRODUCED, OR TRANSMITTED IN ANY MANNER OR BY ANY MEANS WITHOUT THE WRITTEN CONSENT OF TECUMSEH AND THAT SUCH INFORMATION SHALL BE RETURNED TO TECUMSEH IN WRITING BY THE RECIPIENT PRIOR TO THE RECIPIENT'S REQUEST FOR THE ORIGINAL DRAWING OR PRINT. SUCH REQUEST IS MADE.		DIS. CODE	DESCRIPTION CABLE, SERIAL LINK, 025A0185	
A	REL EC32501				DWN. SP 19JUL10	CK. ON FILE	APR. ON FILE	SCALE 1=1 & NOTED	THIS PRINT SUPERSEDES ALL PRINTS PRIOR TO
TECUMSEH PRODUCTS CO. ANN ARBOR, MICHIGAN								DWG NO. 040A0162	
MATERIAL									