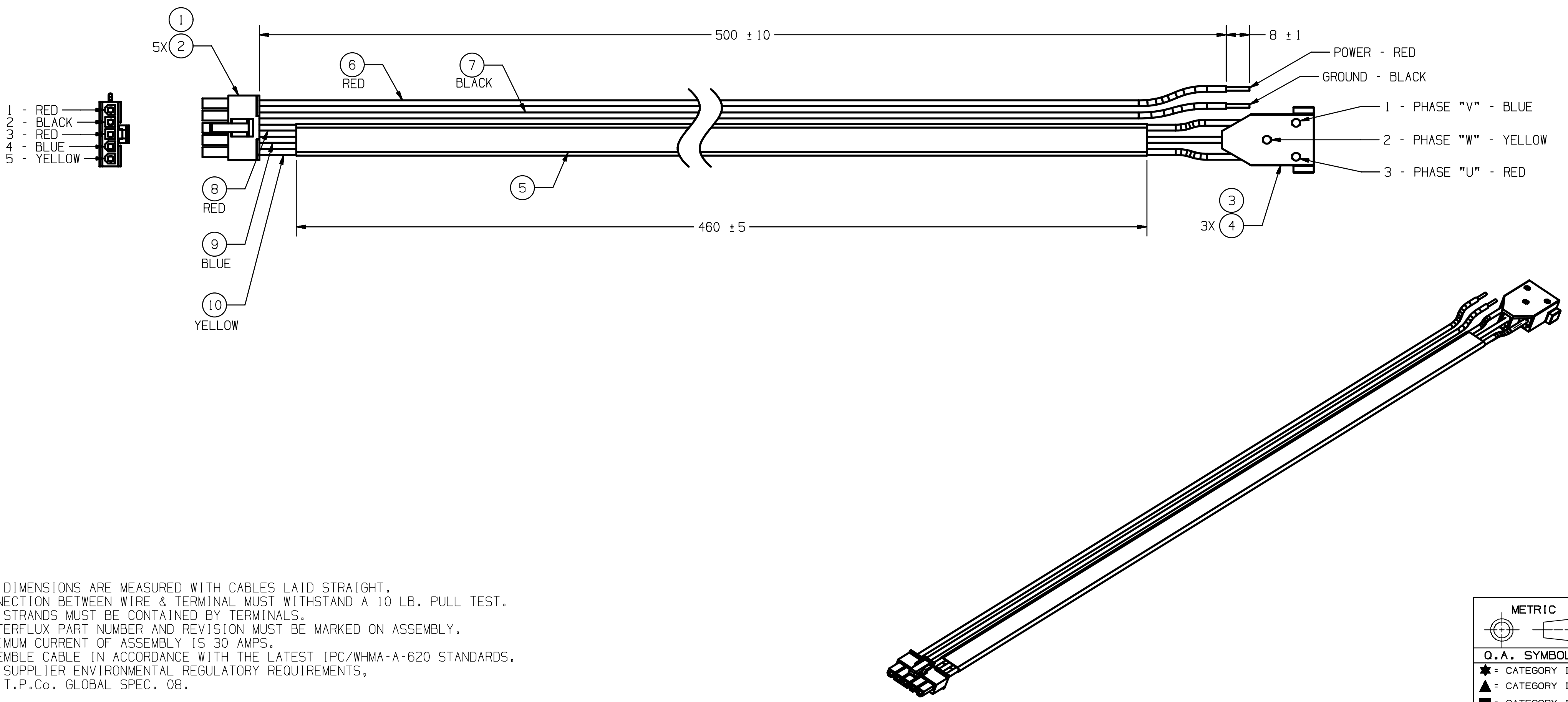


NO.	DESCRIPTION	MANUFACTURER	PART #	QTY
1	RECEPTACLE, HOUSING, 5 CIRCUITS, UL 94V-0, WHITE	MOLEX	39-01-4051	1
2	TERMINAL, CRIMP, 16 AWG, TIN	MOLEX	39-00-0079	5
3	HOUSING, CLUSTER BLOCK, UL 94V-0, GRAY	TE / AMP	171370-5	1
4	RECEPTACLE, CRIMP, 20-16 AWG, TIN	TE / AMP	170063-2	3
5	TUBE, PVC, 11mm, 105C, BLACK	ANY THAT MEET DESCRIPTION		460mm
6	WIRE, 16 AWG, UL1015, PVC, 600V, 105C, RED	ANY THAT MEET DESCRIPTION		500mm
7	WIRE, 16 AWG, UL1015, PVC, 600V, 105C, BLACK	ANY THAT MEET DESCRIPTION		500mm
8	WIRE, 16 AWG, UL1015, PVC, 600V, 105C, RED	ANY THAT MEET DESCRIPTION		500mm
9	WIRE, 16 AWG, UL1015, PVC, 600V, 105C, BLUE	ANY THAT MEET DESCRIPTION		500mm
10	WIRE, 16 AWG, UL1015, PVC, 600V, 105C, YELLOW	ANY THAT MEET DESCRIPTION		500mm



NOTES:  
 1. ALL DIMENSIONS ARE MEASURED WITH CABLES LAID STRAIGHT.  
 2. CONNECTION BETWEEN WIRE & TERMINAL MUST WITHSTAND A 10 LB. PULL TEST.  
 3. ALL STRANDS MUST BE CONTAINED BY TERMINALS.  
 4. MASTERFLUX PART NUMBER AND REVISION MUST BE MARKED ON ASSEMBLY.  
 5. MAXIMUM CURRENT OF ASSEMBLY IS 30 AMPS.  
 6. ASSEMBLE CABLE IN ACCORDANCE WITH THE LATEST IPC/WHMA-A-620 STANDARDS.  
 7. FOR SUPPLIER ENVIRONMENTAL REGULATORY REQUIREMENTS, SEE T.P.Co. GLOBAL SPEC. 08.

METRIC

Q.A. SYMBOLS

- ★ = CATEGORY I
- ▲ = CATEGORY II
- = CATEGORY III
- = CATEGORY IV

REL		EC81392	CHANGE	DATE	----	DWN.		RDS		08MAR17		CHK & APR		ON FILE		SCALE		1=1 & NOTED		THIS PRINT SUPERSEDES ALL PRINTS PRIOR TO			
LT		LC				MATERIAL		NOTED		MESA		DESCRIPTION		CABLE, HARNESS, COMPRESSOR POWER									
																			DWG NO.		040F0275		