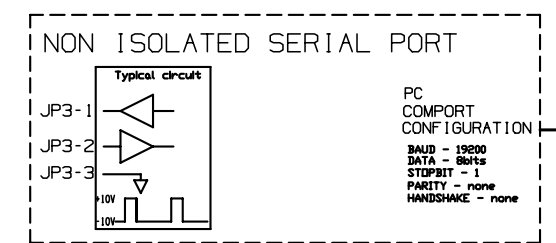
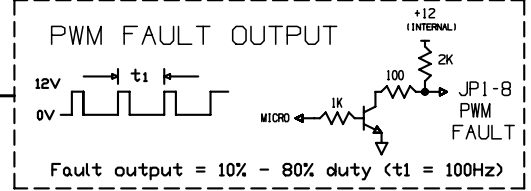
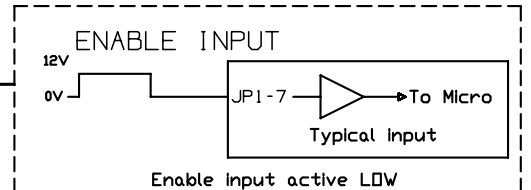
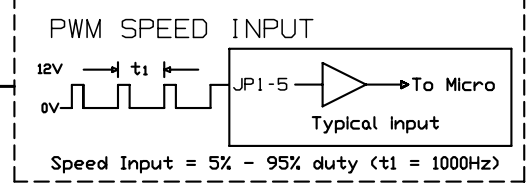


SEE DEMX0045 FOR ALTERNATE WIRING CONFIGURATIONS



PC COMPORT CONFIGURATION
 Baud = 9600
 Data = 8bits
 Stopbit = 1
 Parity = none
 Handshake = none

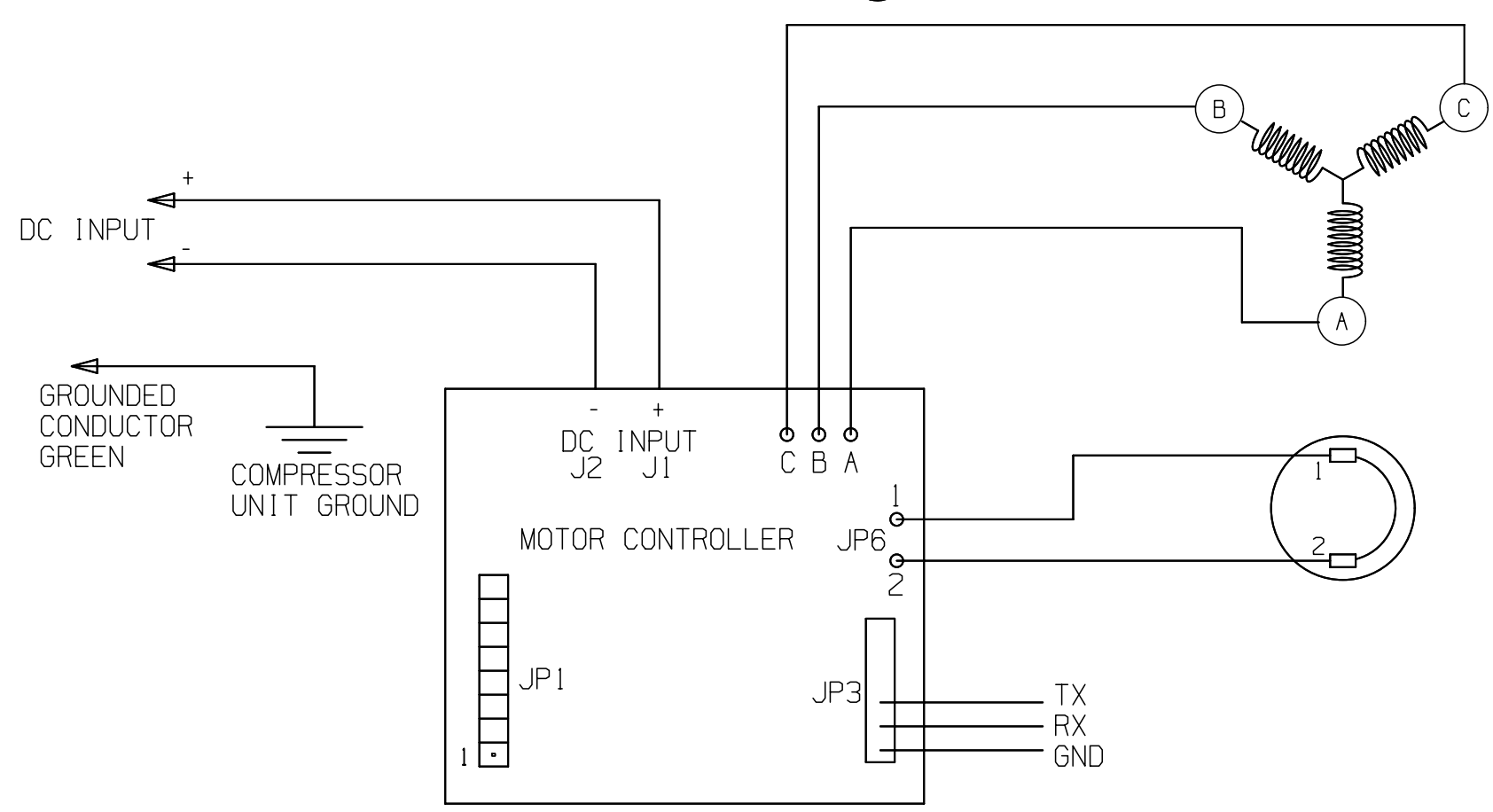


JP1-3 POWER ON/OFF	JP1-5 PWM SPEED	JP1-7 ENABLE INPUT	CONTROLLER STATE
LOW	0-9% or 91-100%	HIGH	NO OUTPUT
LOW	> 9% or < 91%	HIGH	NO OUTPUT
LOW	> 9% or < 91%	LOW	NO OUTPUT
HIGH	0-9% or 91-100%	HIGH	NO OUTPUT
HIGH	> 9% or < 91%	LOW	NO OUTPUT
HIGH	> 9% or < 91%	HIGH	OUTPUT

1	GROUND
2	GROUND
3	N.C.
4	N.C.
5	PWM SPEED INPUT
6	+5V OUTPUT (50mA max)
7	ENABLE INPUT (active low)
8	PWM FAULT OUTPUT

FOR REFERENCE ONLY

- NOTE:
1. COMPRESSOR UNIT GROUND HOLE LOCATED IN THE MOUNTING FEET OF THE COMPRESSOR.
 2. GROUND SCREW IS NOT PROVIDED BY MASTERFLUX.
 3. PRODUCT SPECIFICATIONS - 600A1032
 4. CONTROLLER DRAWING - 025F0236.



WARNING
 WIRING DIAGRAM MUST BE FOLLOWED AS SHOWN. ANY MISWIRING CAN CAUSE SERIOUS ELECTRICAL HAZARD AND POTENTIAL DAMAGE OR RUPTURE OF COMPONENTS ELECTRICAL PARTS.

1	GROUND
2	GROUND
3	N.C.
4	N.C.
5	PWM SPEED INPUT
6	+5V OUTPUT (50mA max)
7	ENABLE INPUT (active low)
8	PWM FAULT OUTPUT

FOR REFERENCE ONLY

ENGLISH

Q.A. SYMBOLS

- ★ = CATEGORY I
- ▲ = CATEGORY II
- = CATEGORY III
- = CATEGORY IV

LT	LC	CHANGE	DATE	DATE	DESCRIPTION
B	..	EC68746 CORRECTED SERIAL PORT	06NOV15	RDS	RDS
A	..	EC55497 REVISED NOTES	11NOV13	RDS	RDS
REL	..	EC51593	---	---	---

THIS DRAWING OR PRINT (L1) IS THE PROPERTY OF MASTERFLUX AND CONTAINS PROPRIETARY AND CONFIDENTIAL INFORMATION. IT IS TO BE USED ONLY FOR THE SPECIFIC CONDITION FOR WHICH IT WAS DESIGNED OR MADE AVAILABLE TO YOU. NO OTHER INFORMATION CONTAINED HEREIN IS TO BE DISCLOSED OR MADE AVAILABLE TO ANY OTHER PARTY WITHOUT THE WRITTEN CONSENT OF MASTERFLUX. ANY REPRODUCTION OR TRANSMISSION OF THIS INFORMATION WITHOUT THE WRITTEN CONSENT AND (TV) OF MASTERFLUX IS STRICTLY PROHIBITED. THIS DRAWING IS THE PROPERTY OF MASTERFLUX AND IS NOT TO BE COPIED OR REPRODUCED IN ANY MANNER WITHOUT THE WRITTEN CONSENT OF MASTERFLUX. ANY REPRODUCTION OR TRANSMISSION OF THIS INFORMATION WITHOUT THE WRITTEN CONSENT OF MASTERFLUX IS STRICTLY PROHIBITED. THIS DRAWING IS THE PROPERTY OF MASTERFLUX AND IS NOT TO BE COPIED OR REPRODUCED IN ANY MANNER WITHOUT THE WRITTEN CONSENT OF MASTERFLUX.

DO NOT SCALE THIS DRAWING. ALL FERROUS MATERIALS MUST BE WASHED AS RECEIVED OR AT COMPRESSOR ASSEMBLY.

DWN.	R.SNYDER	23APR13	CK.	ON FILE	APR.	ON FILE	SCALE	1:1 & NOTED	THIS PRINT SUPERSEDES ALL PRINTS PRIOR TO
DRAWING, SALES, CONTROLLER, ELECTRICAL, 025F0236									
MASTERFLUX									
MATERIAL									

DWG NO. DEMX0037