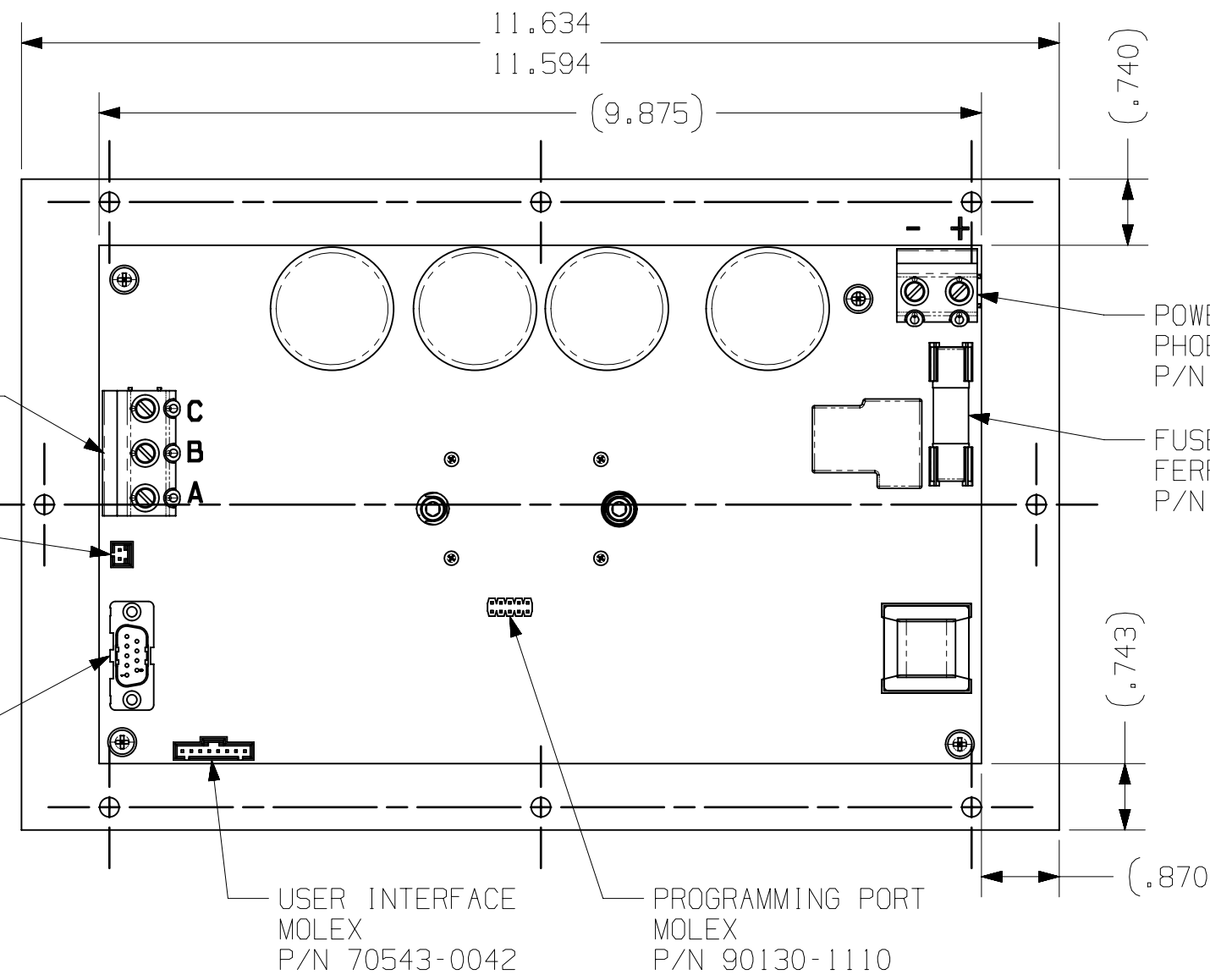


COMPRESSOR CONNECTION
PHOENIX CONTACT
P/N 1929546

COMPRESSOR SHELL
TEMPERATURE SENSOR
CONNECTION
MOLEX
P/N 70543-0001

SERIAL PORT
AMP/TYCO
P/N 3-338309-2

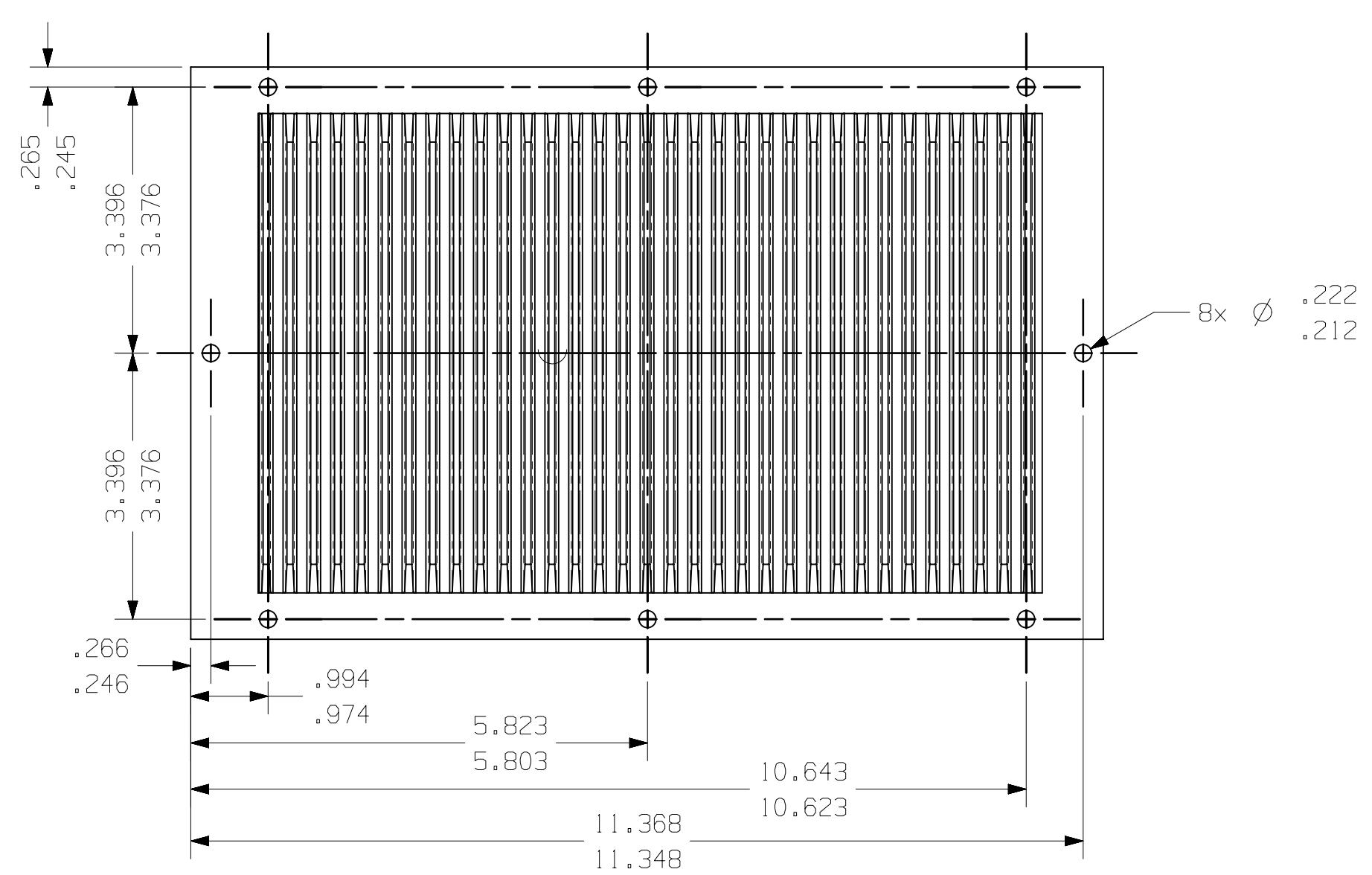
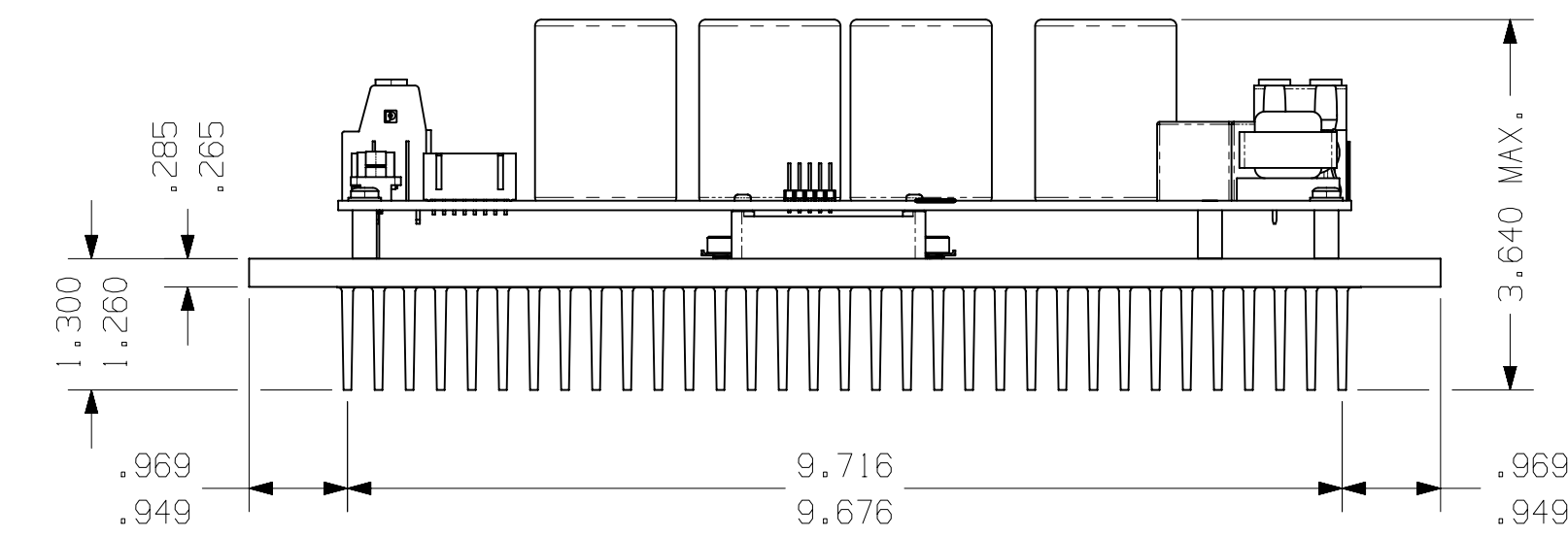
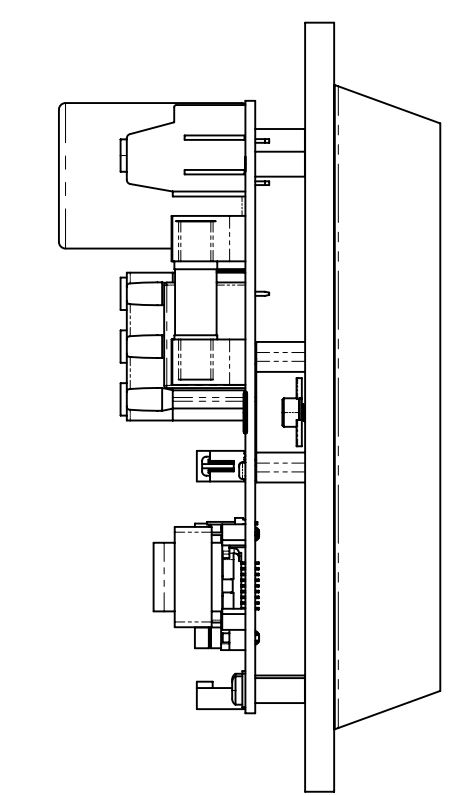


POWER CONNECTION
PHOENIX CONTACT
P/N 1929533

FUSE
FERRAZ SHAWMUT
P/N ATM30

USER INTERFACE
MOLEX
P/N 70543-0042

PROGRAMMING PORT
MOLEX
P/N 90130-1110



ENGLISH

Q.A. SYMBOLS

- ★ = CATEGORY I
- ▲ = CATEGORY II
- = CATEGORY III
- = CATEGORY IV

REF	LT	LC	CHANGE	DATE	-----	DLS.CODE	NAME				DRAWING NO.	
	THIS DRAWING OR PRINT (1) IS THE PROPERTY OF MASTERFLUX AND CONTAINS INFORMATION BELONGING TO MASTERFLUX. IT IS TO BE KEPT IN CONFIDENCE AND NOT TO BE REPRODUCED OR DISCLOSED TO OTHERS WITHOUT THE EXPRESS AND SPECIFIC WRITTEN CONSENT OF MASTERFLUX. ANY UNAUTHORIZED REPRODUCTION OR DISCLOSURE OF THIS DRAWING OR PRINT SHALL BE AT THE USER'S SOLE RISK AND WITHOUT LIABILITY TO MASTERFLUX. ANY REPRODUCTION OR DISCLOSURE OF THIS DRAWING OR PRINT SHALL BE AT THE USER'S SOLE RISK AND WITHOUT LIABILITY TO MASTERFLUX. ANY REPRODUCTION OR DISCLOSURE OF THIS DRAWING OR PRINT SHALL BE AT THE USER'S SOLE RISK AND WITHOUT LIABILITY TO MASTERFLUX.						DRAWING, SALES, CONTROLLER, MECHANICAL					THIS PRINT SUPERSEDES ALL PRINTS PRIOR TO
	DWN.	CK.	APR.	SCALE	MATERIAL							
RDS	ON FILE	ON FILE	1:2 & NOTED	PER BOM								
							MASTERFLUX				DGMX0095	