

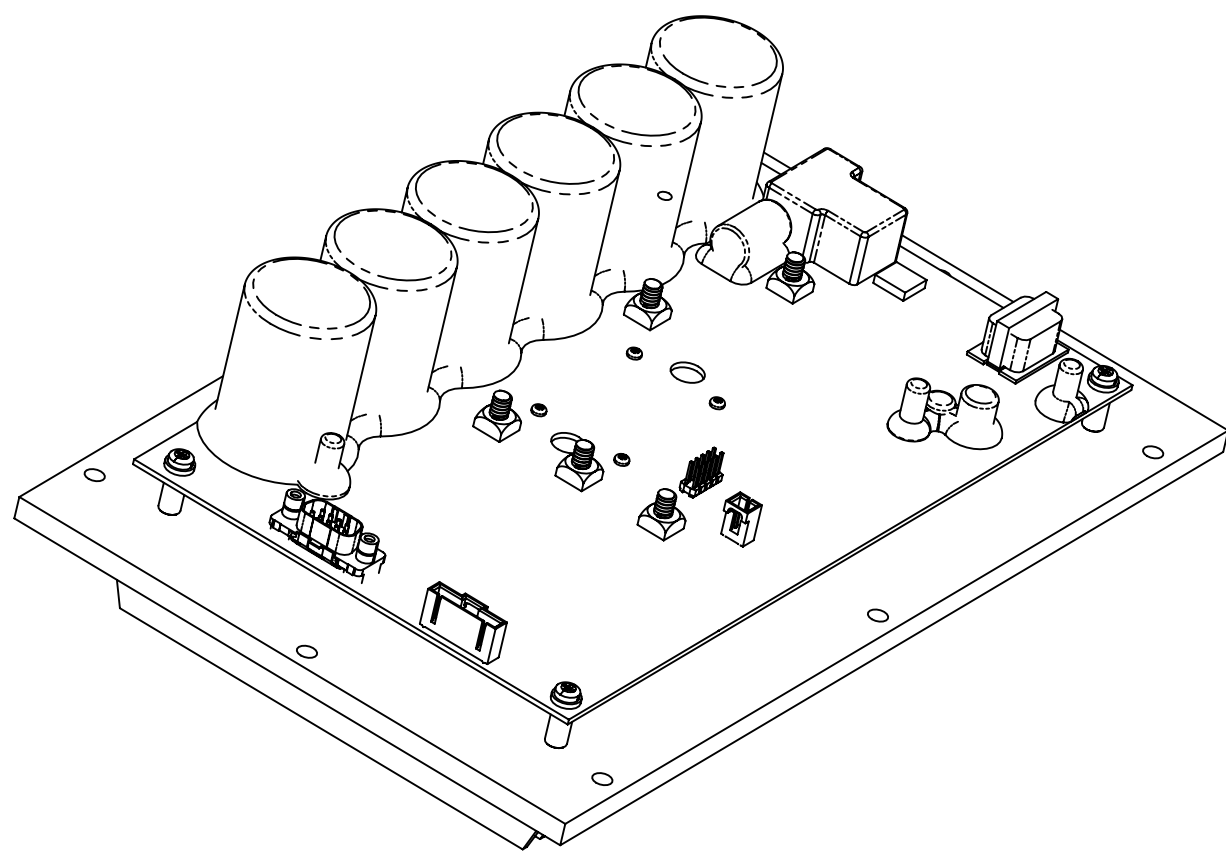
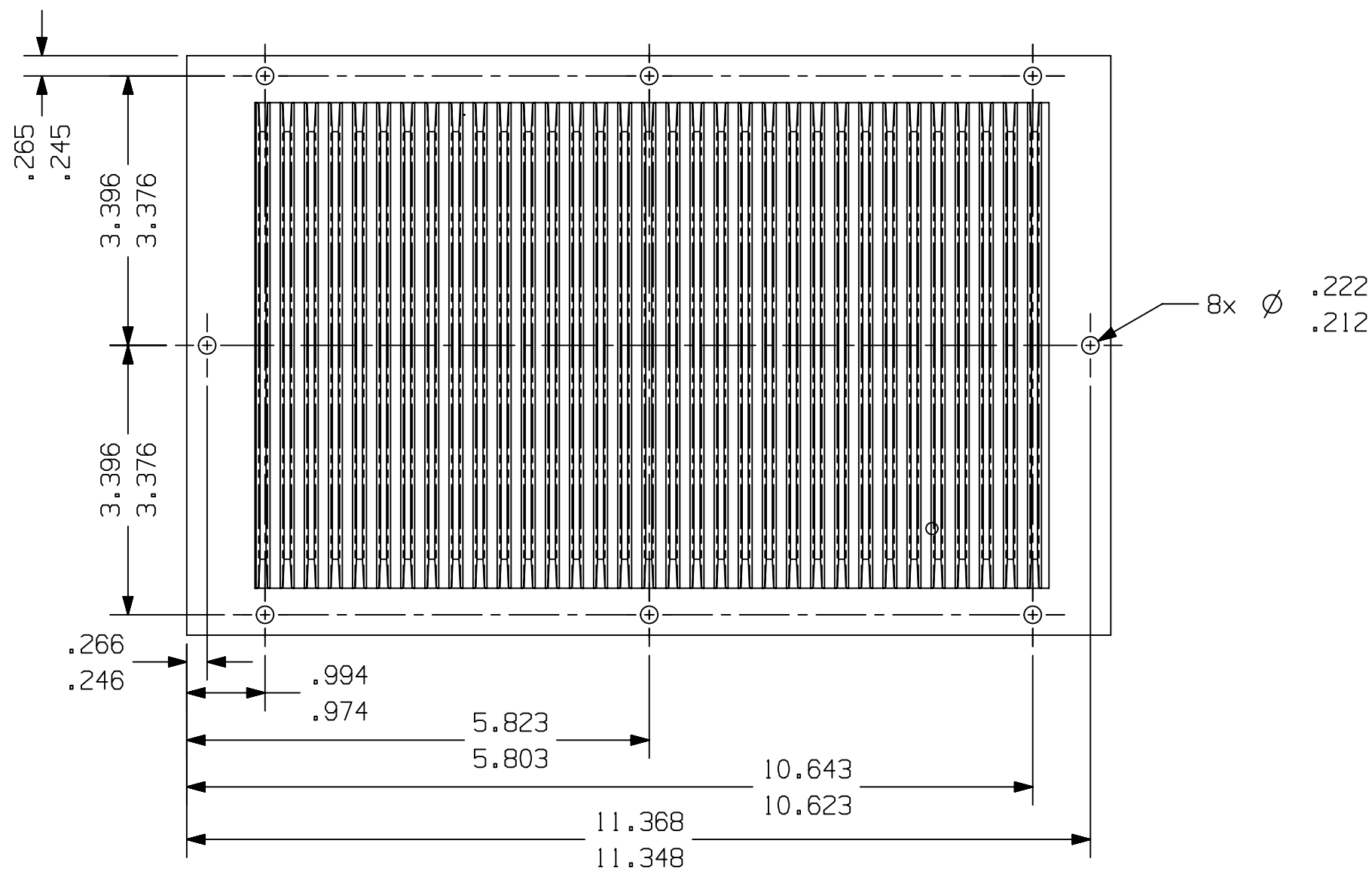
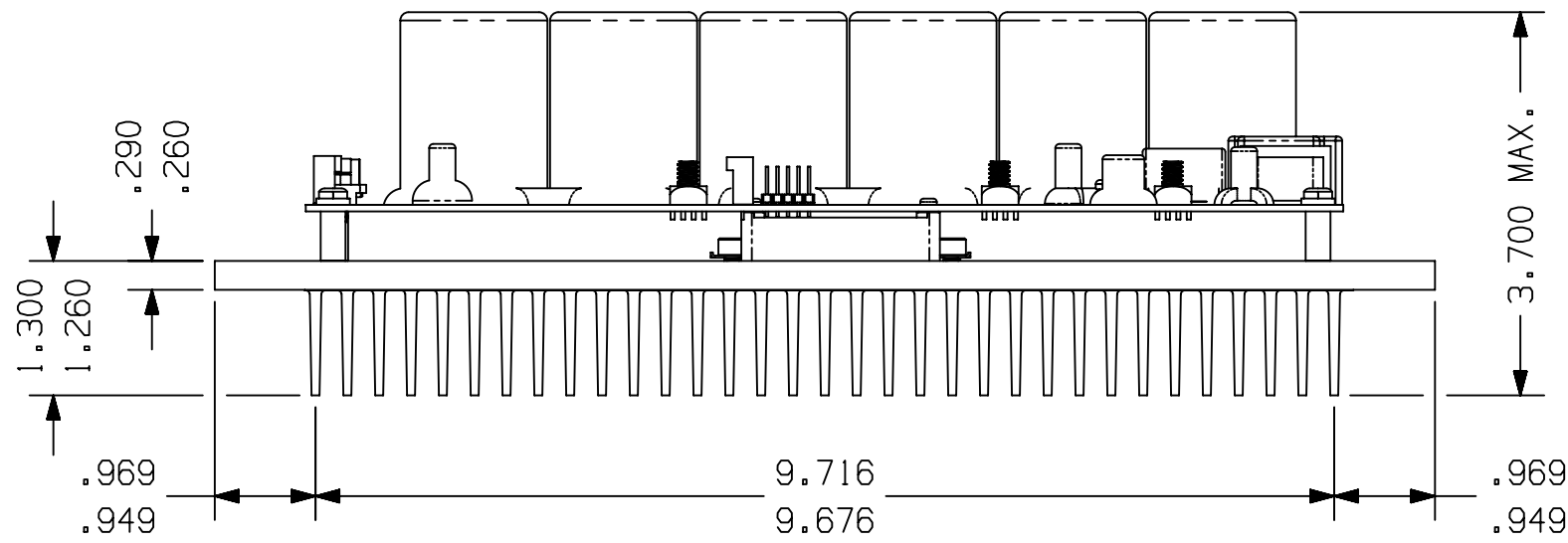
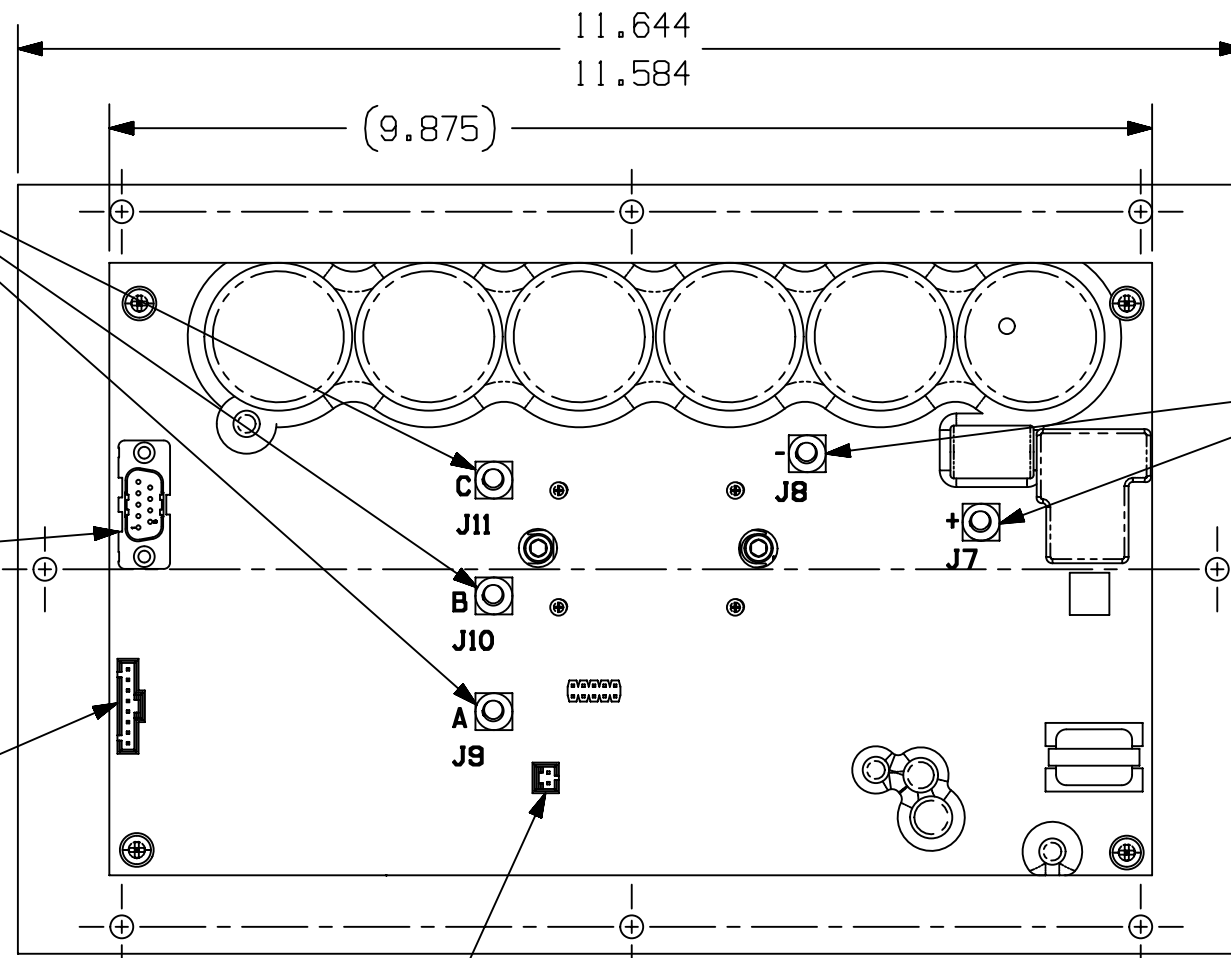
PRESS FIT CONNECTOR  
WURTH ELEKTRONIC  
P/N 7461383  
3 PLCS, J9, J10 & J11  
M5 THREAD  
USE LOCK WASHER  
20 IN-LBS ± 2 IN-LBS

SERIAL PORT CONNECTOR  
DB9, STRAIGHT, MALE  
AMP/TYCO P/N 3-338309-2

CONTROLLER INTERFACE CONNECTOR  
HEADER, 8 PIN, W/LATCH  
MOLEX P/N 70543-0042  
TYCO P/N 5-103639-7

SHELL TEMPERATURE CONNECTOR  
HEADER, 2 PIN, W/LATCH  
MOLEX P/N 70543-0001

PRESS FIT CONNECTOR  
WURTH ELEKTRONIC  
P/N 7461383  
2 PLCS, J7 & J8  
M5 THREAD  
USE LOCK WASHER  
20 IN-LBS ± 2 IN-LBS



ENGLISH

Q. A. SYMBOLS

- ★ = CATEGORY I
- ▲ = CATEGORY II
- = CATEGORY III
- = CATEGORY IV

MX

<p>THIS DRAWING OR PRINT (1) IS THE PROPERTY OF MASTERFLUX AND CONTAINS INFORMATION BELONGING TO MASTERFLUX. IT IS TO BE KEPT IN CONFIDENTIALITY AND NOT TO BE REPRODUCED OR DISCLOSED TO OTHERS WITHOUT THE EXPRESS AND SPECIFIC WRITTEN CONSENT OF MASTERFLUX. ANY UNAUTHORIZED REPRODUCTION OR DISCLOSURE OF THIS DRAWING OR PRINT SHALL BE HELD TO BE A VIOLATION OF THE PATENT RIGHTS OF MASTERFLUX AND WILL BE PROSECUTED TO THE FULL EXTENT OF THE LAW. SUCH REQUEST IS MADE.</p>		<p>DIS. CODE</p>		<p>NAME DRAWING, SALES, CONTROLLER, MECHANICAL, SIERRA, 600V</p>	
<p>RDS EC96424 18JUN20</p>		<p>DATE</p>		<p>DWN. RDS 14APR20</p>	
<p>UPDATED DIMS</p>		<p>CHANGE</p>		<p>CK. ON FILE</p>	
<p>EC95852</p>		<p>DATE</p>		<p>APR. ON FILE</p>	
<p>LT LC</p>		<p>DATE</p>		<p>SCALE 1:2 &amp; NOTED</p>	
<p>A ...</p>		<p>DATE</p>		<p>THIS PRINT SUPERSEDES ALL PRINTS PRIOR TO</p>	
<p>REL ...</p>		<p>DATE</p>		<p>MASTERFLUX</p>	
<p>DATE</p>		<p>DATE</p>		<p>MATERIAL PER BOM</p>	
<p>DATE</p>		<p>DATE</p>		<p>DRAWING NO. DGMX0097</p>	