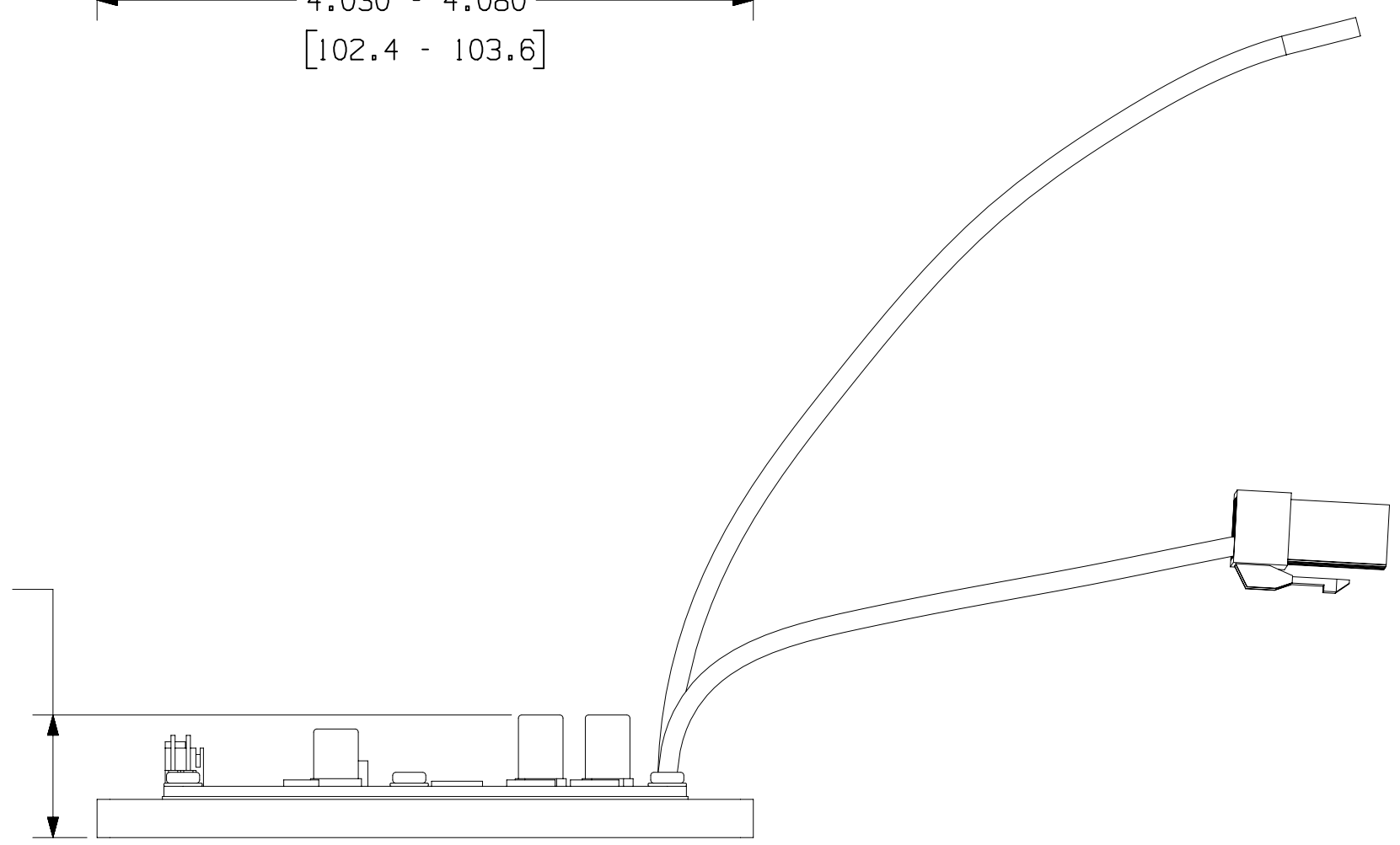
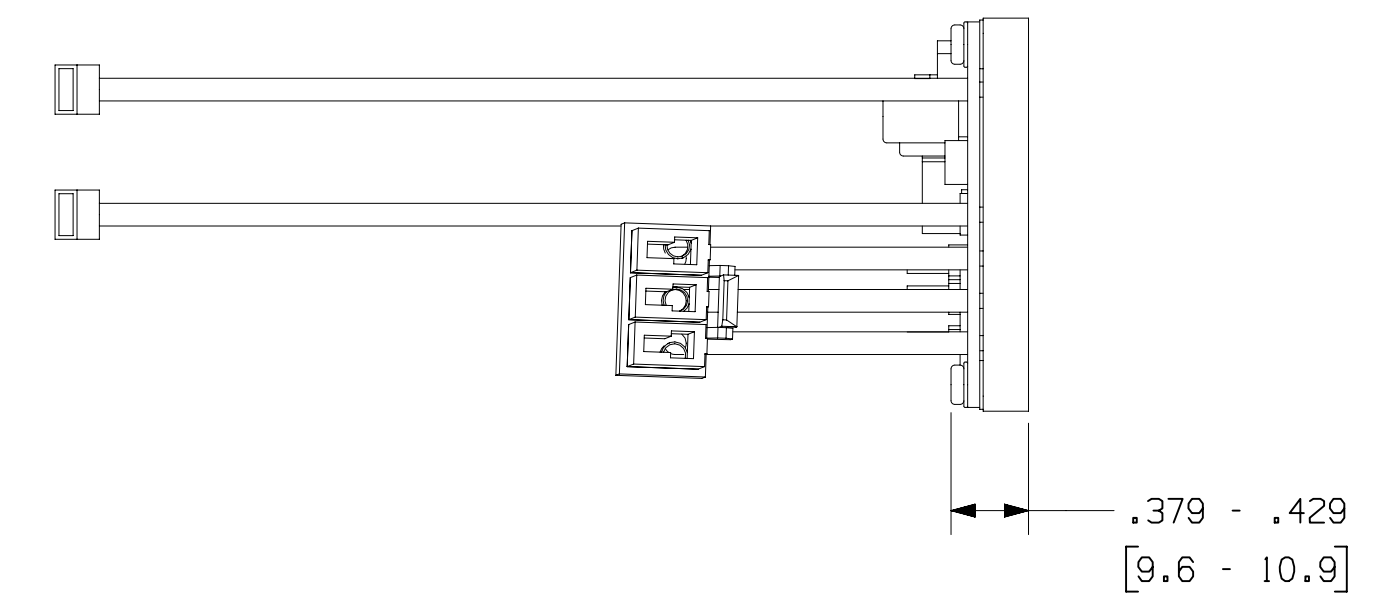
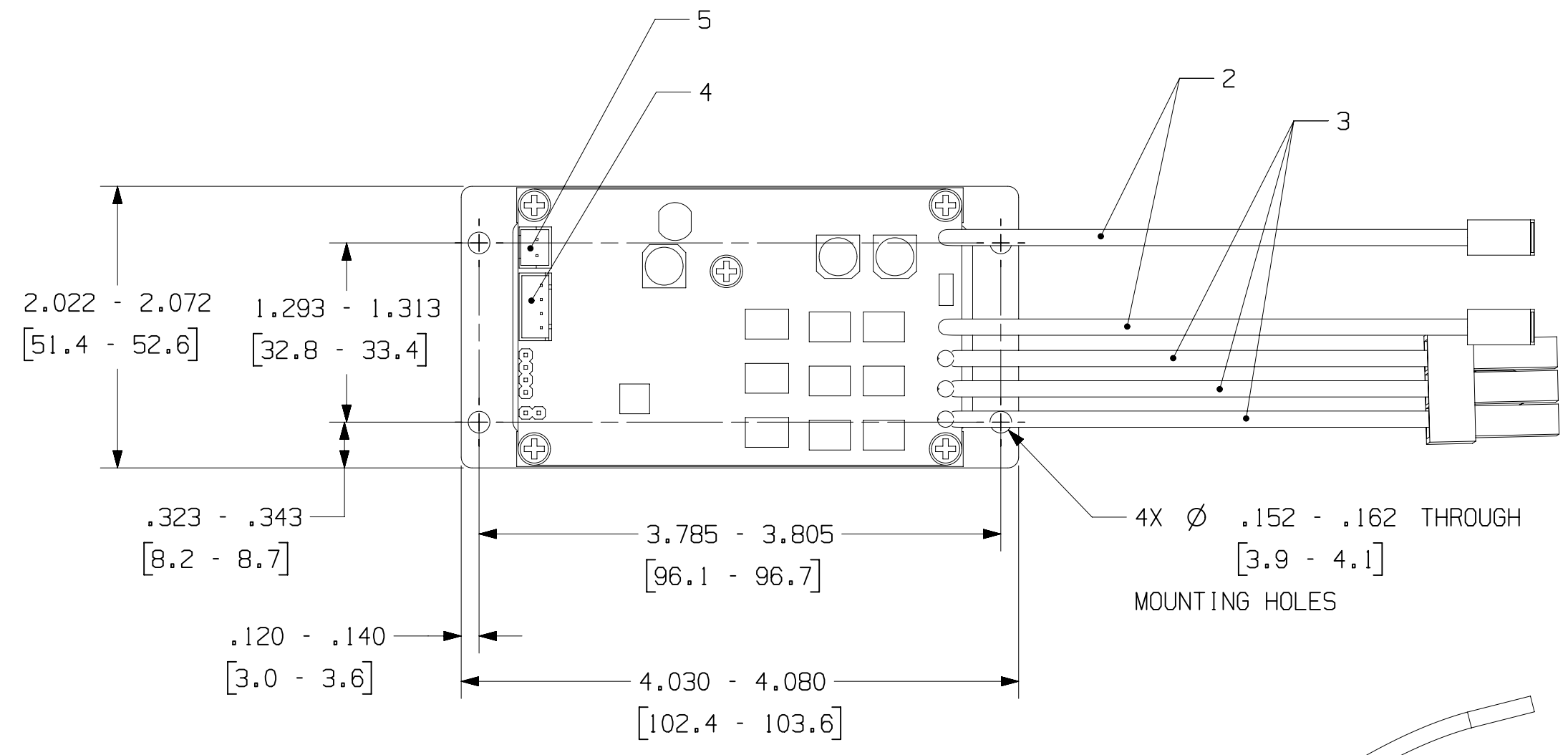
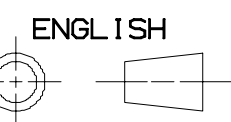


SCALE 1:2



5	VOLTAGE CONTROL CONNECTOR	CN6	XH-2A	YUEQING JILADE ELECTRONICS CO. LTD. FOSHAN HONGCHENG ELECTRIC CO. LTD.
4	SERIAL COMMUNICATION CONNECTOR	CN3	HW2502J-BD-4A A2507(XHD)-4AD	YUEQING JILADE ELECTRONIC CO. LTD. ZHEJIANG LIANHE ELECTRONICS CO. LTD.
3	COMPRESSOR CONNECTION WIRING	CN7-CN8-CN9	VLP-03VK	YUEQING JILADE ELECTRONIC CO. LTD.
2	DC POWER INPUT WIRING	CN1-CN2	ST731394-3M14	YUEQING JILADE ELECTRONIC CO. LTD.
1	COMPRESSOR HARNESS	INVERTER INTERFACE	VLR-03VK	YUEQING JILADE ELECTRONIC CO. LTD.
		COMPRESSOR INTERFACE	HX-SCS-3F	ZHEJIANG LIANHE ELECTRONICS CO. LTD.
NO.	NAME	CODE	MODEL	MANUFACTURER

3D, VNX10



Q. A. SYMBOLS

- ★ = CATEGORY I
- ▲ = CATEGORY II
- = CATEGORY III
- = CATEGORY IV

MX-MESA

REL	EC102861	DATE	DRAWING, SALES, CONTROLLER, MECHANICAL, MESA, 12V, VOLTAGE CONTROL				DIS. CODE	-			
L.T	LC	CHANGE	NAME				DWN.	CK.	APR.	SCALE	THIS PRINT SUPERSEDES ALL PRINTS PRIOR TO
<small>THIS DRAWING OR PRINT (1) IS THE PROPERTY OF TECUMSEH AND CONTAINS PROPRIETARY AND CONFIDENTIAL INFORMATION. IT IS TO BE KEPT IN CONFIDENTIALITY AND IS NOT TO BE REPRODUCED OR TRANSMITTED IN ANY FORM OR BY ANY MEANS, ELECTRONIC OR MECHANICAL, INCLUDING PHOTOCOPYING, RECORDING, OR BY ANY INFORMATION STORAGE AND RETRIEVAL SYSTEM. WITHOUT THE WRITTEN CONSENT OF TECUMSEH, THIS DRAWING OR PRINT IS NOT TO BE COPIED OR REPRODUCED IN ANY MANNER. ANY UNAUTHORIZED REPRODUCTION OR TRANSMISSION OF THIS DRAWING OR PRINT IS STRICTLY PROHIBITED. THE APPLICANT HEREBY AGREES TO HOLD TECUMSEH HARMLESS FROM AND AGAINST ALL SUCH REPRODUCTION OR TRANSMISSION.</small>			DRAWING, SALES, CONTROLLER, MECHANICAL, MESA, 12V, VOLTAGE CONTROL				070CT21	ON FILE	ON FILE	1:1 & NOTED	
			TECUMSEH PRODUCTS CO.				DRAWING NO.				
			ANN ARBOR, MICHIGAN				DGMX0100				
			MATERIAL				NOTED				