



Tecumseh



MASTERFLUX

From: North America Product Management Team
To: Tecumseh / Masterflux Authorized Wholesalers and OEM's
Date: April 4, 2017
Subject: Product Update: SIERRA Compressor Fold-Over Terminals Rev. 2

PRODUCT BULLETIN

Tecumseh Products Company would like to inform our valued customers of a change to our SIERRA compressor terminal design. We are switching from the current flag configuration to a fold-over terminal configuration. The new configuration provides an improved and more reliable connection. It also aids to the serviceability of our SIERRA compressor product line. The figures below show a side by side comparison of the current model with the new design.

Figure 1: Side by Side Comparison



Flag Terminal

Fold-Over Terminal

Tecumseh Products Company

5683 Hines Drive • Ann Arbor, MI 48108 • Ph +1 734.585.9500 • www.tecumseh.com • www.masterflux.com

Figure 2: T-Block Installation



Flag Terminal

Fold-Over Terminal (T-Block Included)

Figure 3: Harness Installation (M5 Screws or #10-32 Screws; *not included)**



Flag Terminal

Fold-Over Terminal

***Please contact your local sale representative for more information on ordering these parts.**

#10-32 Screw P/N: 10759-C6 (serrated head) or 10752-C6

M5 Screw P/N: 320159

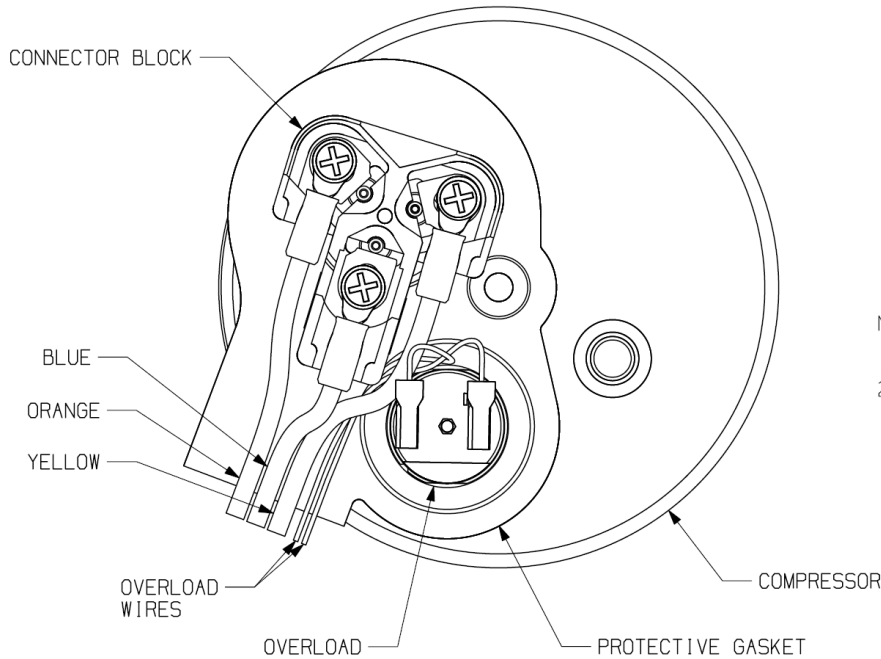
Figure 4: Top Cap Installation



Current Flag Terminal

Fold-Over Terminal

Figure 5: Torque Specification



NOTES:

1. TORQUE #10-32 SCREWS TO 12-18 IN-LBS.
2. TORQUE M5 SCREWS TO 1.5-2.2 N-m.

Cover/Terminal Part Number Reference

	Flag	Fold-Over
Gasket	30469-02	14963173
Protective Cover	71256	14963172
Protective Cover Hex Nut	11230 or 11236	11236
Terminal Block (#10-32)	N/A	14963171
Terminal Block (M5)	N/A	900-10536

Description of Change and Timing

Below is a comprehensive list of compressor part numbers and their corresponding fold-over terminal equivalents. The current part numbers will be phased out and discontinued as soon as possible.

Cross Reference:

Compressor Model Family	Old Part Number	Model Nuber and Current Description	New Part Number	Model Number and New Description	Screw Type
SIERRA02-0716XX	SIERRA00034	SIERRA02-0716Y3 Copper Stub Tubes	SIERRA00160	SIERRA02-0716Y3 Copper Stub Tubes	#10-32
	N/A	N/A	SIERRA00134	SIERRA02-0716Y3 Copper Stub Tubes	M5
	SIERRA00061	SIERRA02-0716Y3 SAE MIO Fittings	SIERRA00151	SIERRA02-0716Y3 SAE MIO Fittings	#10-32
	SIERRA00149	SIERRA02-0716Y3 Metric Fittings	SIERRA00156	SIERRA02-0716Y3 Metric Fittings	M5
	SIERRA00084	SIERRA02-0716Y3 90° SAE MIO Fittings	SIERRA00146	SIERRA02-0716Y3 90° SAE MIO Fittings	#10-32
	SIERRA00083	SIERRA02-0716Y3 SAE MIO Fittings, Dual	SIERRA00161	SIERRA02-0716Y3 SAE MIO Fittings, Dual	#10-32
SIERRA03-0716XX	14948357	SIERRA03-0716Y3 Copper Stub Tubes	SIERRA00162	SIERRA03-0716Y3 Copper Stub Tubes	#10-32
	SIERRA00065	SIERRA03-0716Y3 SAE MIO Fittings	SIERRA00159	SIERRA03-0716Y3 SAE MIO Fittings	#10-32
SIERRA02-0434XX	SIERRA00003	SIERRA02-0434Y3 Copper Stub Tubes	SIERRA00163	SIERRA02-0434Y3 Copper Stub Tubes	#10-32
	SIERRA00064	SIERRA02-0434Y3 SAE MIO Fittings	SIERRA00164	SIERRA02-0434Y3 SAE MIO Fittings	#10-32
	SIERRA00030	SIERRA02-0434Y1 Copper Stub Tubes	SIERRA00167	SIERRA02-0434Y1 Copper Stub Tubes	#10-32
	SIERRA00069	SIERRA02-0434Z1 Copper Stub Tubes	SIERRA00168	SIERRA02-0434Z1 Copper Stub Tubes	#10-32
SIERRA03-0434XX	SIERRA00022	SIERRA03-0434Y3 Copper Stub Tubes	SIERRA00150	SIERRA03-0434Y3 Copper Stub Tubes	#10-32
	SIERRA00053	SIERRA03-0434Y3 SAE MIO Fittings	SIERRA00170	SIERRA03-0434Y3 SAE MIO Fittings	#10-32
	SIERRA00048	SIERRA03-0434Y3 Copper Stub Tubes, Hi-Temp Overload	SIERRA00171	SIERRA03-0434Y3 Copper Stub Tubes, Hi-Temp Overload	#10-32
	SIERRA00049	SIERRA03-0434Z1 Copper Stub Tubes	SIERRA00173	SIERRA03-0434Z1 Copper Stub Tubes	#10-32
	SIERRA00126	SIERRA03-0434H3 Copper Stub Tubes	SIERRA00126	SIERRA03-0434H3 Copper Stub Tubes	#10-32

Cross Reference (Continued):

Compressor Model Family	Old Part Number	Model Nuber and Current Description	New Part Number	Model Number and New Description	Screw Type
SIERRA04-0434XX	SIERRA00020	SIERRA04-0434Y3 Copper Stub Tubes	SIERRA00174	SIERRA04-0434Y3 Copper Stub Tubes	#10-32
	SIERRA00062	SIERRA04-0434Y3 SAE MIO Fittings	SIERRA00175	SIERRA04-0434Y3 SAE MIO Fittings	#10-32
	SIERRA00127	SIERRA04-0434H3 Copper Stub Tubes	SIERRA00127	SIERRA04-0434H3 Copper Stub Tubes	#10-32
	SIERRA00097	SIERRA04-0434H3 SAE MIO Fittings	SIERRA00178	SIERRA04-0434H3 SAE MIO Fittings	#10-32
SIERRA05-0434XX	SIERRA00028	SIERRA05-0434Y3 Copper Stub Tubes	SIERRA00179	SIERRA05-0434Y3 Copper Stub Tubes	#10-32
	SIERRA00052	SIERRA05-0434Y3 SAE MIO Fittings	SIERRA00180	SIERRA05-0434Y3 SAE MIO Fittings	#10-32
SIERRA06-0434XX	SIERRA00029	SIERRA06-0434Y3 Copper Stub Tubes	SIERRA00182	SIERRA06-0434Y3 Copper Stub Tubes	#10-32
	SIERRA00054	SIERRA06-0434Y3 SAE MIO Fittings	SIERRA00184	SIERRA06-0434Y3 SAE MIO Fittings	#10-32
SIERRA17-0434XX	SIERRA00025	SIERRA17-0434Y3 Copper Stub Tubes	SIERRA00185	SIERRA17-0434Y3 Copper Stub Tubes	#10-32
SIERRA03-0982XX	SIERRA00010	SIERRA03-0982Y3 Copper Stub Tubes	SIERRA00186	SIERRA03-0982Y3 Copper Stub Tubes	#10-32
	14943161	SIERRA03-0982Y3 SAE MIO Fittings	SIERRA00120	SIERRA03-0982Y3 SAE MIO Fittings	#10-32
	SIERRA00027	SIERRA03-0982Z1 Copper Stub Tubes	SIERRA00192	SIERRA03-0982Z1 Copper Stub Tubes	#10-32
	SIERRA00035	SIERRA03-0982Y3 Copper Stub Tubes, High Cap	SIERRA00125	SIERRA03-0982Y3 Copper Stub Tubes, High Cap	#10-32
	SIERRA00058	SIERRA03-0982Y3 SAE MIO Fittings, High Cap, Dual	SIERRA00190	SIERRA03-0982Y3 SAE MIO Fittings, High Cap, Dual	#10-32
	14946230	SIERRA03-0982Y3 SAE MIO Fittings, High Cap	SIERRA00121	SIERRA03-0982Y3 SAE MIO Fittings, High Cap	#10-32
	SIERRA00129	SIERRA03-0982H3 Copper Stub Tubes	SIERRA00129	SIERRA03-0982H3 Copper Stub Tubes	#10-32
	SIERRA00107	SIERRA03-0892U3 Copper Stub Tubes	SIERRA00139	SIERRA03-0892U3 Copper Stub Tubes	M5
	SIERRA00119	SIERRA03-0982U3 SAE MIO Fittings	SIERRA00142	SIERRA03-0982U3 SAE MIO Fittings	M5
	SIERRA00122	SIERRA03-0982U3 SAE MIO Fittings, Dual	SIERRA00140	SIERRA03-0982U3 SAE MIO Fittings, Dual	M5

Cross Reference (Continued):

Compressor Model Family	Old Part Number	Model Nuber and Current Description	New Part Number	Model Number and New Description	Screw Type
SIERRA04-0982XX	SIERRA00011	SIERRA04-0982Y3 Copper Stub Tubes	SIERRA00194	SIERRA04-0982Y3 Copper Stub Tubes	#10-32
	14949801	SIERRA04-0982Y3 SAE MIO Fittings	SIERRA00195	SIERRA04-0982Y3 SAE MIO Fittings	#10-32
	SIERRA00073	SIERRA04-0982Z1 Copper Stub Tubes	SIERRA00197	SIERRA04-0982Z1 Copper Stub Tubes	#10-32
	SIERRA00130	SIERRA04-0982H3 Copper Stub Tubes	SIERRA00130	SIERRA04-0982H3 Copper Stub Tubes	#10-32
	SIERRA00088	SIERRA04-0982Y3 Copper Stub Tubes	SIERRA00220	SIERRA04-0982Y3 Copper Stub Tubes	M5
	N/A	N/A	SIERRA00218	SIERRA04-0982Y3 Copper Stub Tubes	#10-32
	N/A	N/A	SIERRA00219	SIERRA04-0982Y3 SAE MIO Fittings	#10-32
	N/A	N/A	SIERRA00153	SIERRA04-0982Y3 Metric Fittings	M5
	N/A	N/A	SIERRA00198	SIERRA04-0982Y3 Metric Fittings, Low Oil Charge	M5
	N/A	N/A	SIERRA00200	SIERRA04-0982H3 Metric Fittings	M5
	N/A	N/A	SIERRA00201	SIERRA04-0982H3 Metric Fittings, Low Oil Charge	M5
SIERRA05-0982XX	SIERRA00012	SIERRA05-0982Y3 Copper Stub Tubes	SIERRA00202	SIERRA05-0982Y3 Copper Stub Tubes	#10-32
	SIERRA00055	SIERRA05-0982Y3 SAE MIO Fittings	SIERRA00203	SIERRA05-0982Y3 SAE MIO Fittings	#10-32
SIERRA06-0982XX	SIERRA00013	SIERRA06-0982Y3 Copper Stub Tubes	SIERRA00205	SIERRA06-0982Y3 Copper Stub Tubes	#10-32
	14944727	SIERRA06-0982Y3 SAE MIO Fittings	SIERRA00206	SIERRA06-0982Y3 SAE MIO Fittings	#10-32
	SIERRA00147	SIERRA06-0982Y3 Metric Fittings	SIERRA00221	SIERRA06-0982Y3 Metric Fittings	M5
SIERRA17-0982XX	SIERRA00031	SIERRA17-0982Y3 Copper Stub Tubes	SIERRA00212	SIERRA17-0982Y3 Copper Stub Tubes	#10-32
	SIERRA00123	SIERRA17-0982U3 Copper Stub Tubes	SIERRA00213	SIERRA17-0982U3 Copper Stub Tubes	M5
	SIERRA00124	SIERRA17-0982U3 SAE MIO Fittings	SIERRA00214	SIERRA17-0982U3 SAE MIO Fittings	M5

Discontinued Part Numbers:

The chart below contains a list of part numbers that will be **DISCONTINUED** immediately. We have not released an equivalent part number with the fold-over terminal configuration for these compressors.

Part Number	Description
SIERRA00090	SIERRA02-0716Y3, Copper Stub Tubes
SIERRA00063	SIERRA02-0716Y3, SAE MIO Fittings
SIERRA00094	SIERRA02-0716Y3, Copper Stub Tubes
SIERRA00093	SIERRA03-0716Y3, Copper Stub Tubes
SIERRA00087	SIERRA02-0434Y3, SAE MIO Fittings, Dual
SIERRA00082	SIERRA02-0434Y2, Copper Stub Tubes
SIERRA00021	SIERRA02-0434E3, Copper Stub Tubes
SIERRA00019	SIERRA02-0434C3, Copper Stub Tubes
SIERRA00077	SIERRA03-0434Y2, Copper Stub Tubes
SIERRA00135	SIERRA04-0434Y3, Metric Fittings
SIERRA00070	SIERRA04-0434Y2, Copper Stub Tubes
SIERRA00056	SIERRA05-0434Z2, Copper Stub Tubes
SIERRA00057	SIERRA06-0434Y3, Copper Stub Tubes, Hi Temp Overload
SIERRA00141	SIERRA03-0982Z1, SAE MIO Fittings
SIERRA00033	SIERRA03-0982E3, Copper Stub Tubes
SIERRA00067	SIERRA03-0982C3, Copper Stub Tubes
SIERRA00136	SIERRA03-0982Y3, Copper Stub Tubes, High Cap
SIERRA00088	SIERRA04-0982Y3, Copper Stub Tubes
SIERRA00068	SIERRA04-0982Y3, SAE MIO Fittings
SIERRA00080	SIERRA04-0982Y3, SAE MIO Fittings, Dual
SIERRA00089	SIERRA05-0982Z2, Copper Stub Tubes
14950068	SIERRA06-0982Y3, SAE MIO Fittings, High Oil Charge
SIERRA00081	SIERRA06-0982Y3, SAE MIO Fittings, Dual
SIERRA00095	SIERRA06-0982Y3, 90° SAE MIO Fittings
SIERRA00147	SIERRA06-0982Y3, Metric Fittings
SIERRA00059	SIERRA17-0982E3, Copper Stub Tubes
SIERRA00066	SIERRA17-0982C3, Copper Stub Tubes

Questions

Should you have additional questions that have not been addressed, please do not hesitate to contact your local Tecumseh Sales Representative or Technical Service Team (800.211.3427). For more information on our Masterflux compressor series, please visit our website masterflux.com. You can also follow us on twitter @masterflux.