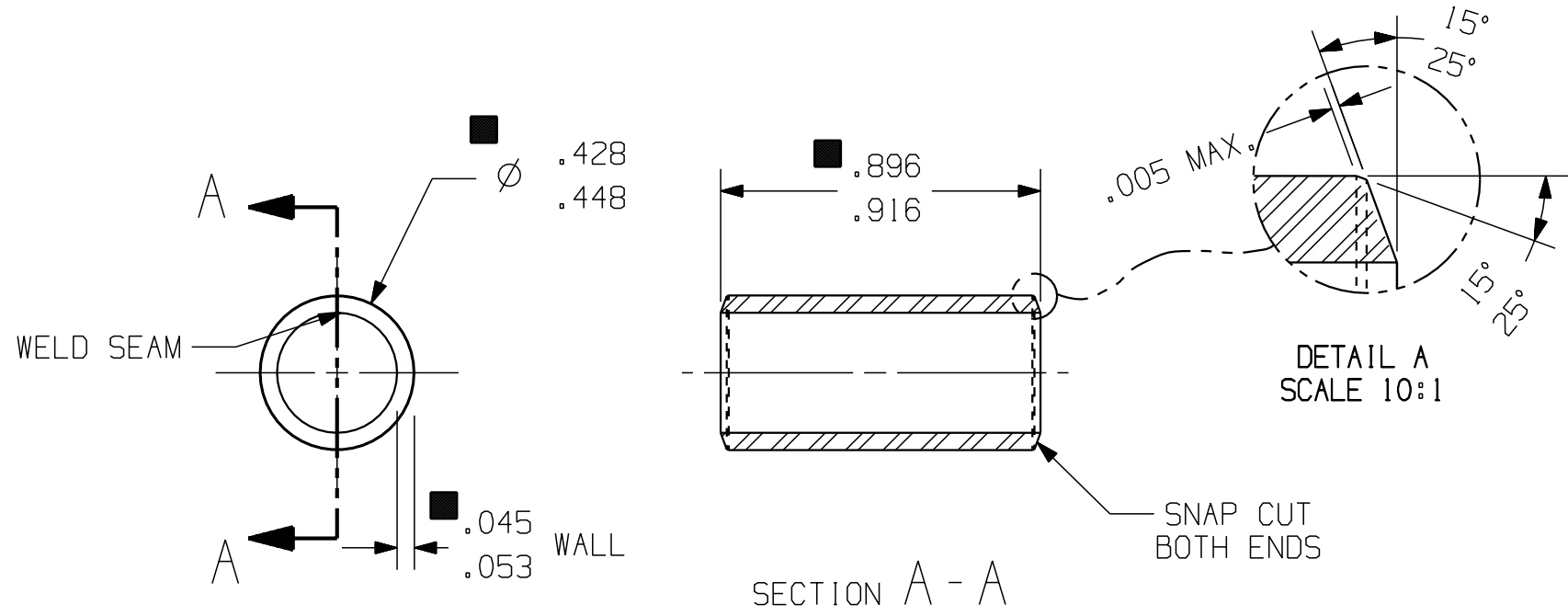


DRAWING NO.
70459



- NOTE!
- 1. FINISH-ZINC PLATE .00025-.00050 THICK WITH TRIVALENT CHROMIUM PASSIVATION FREE OF HEXAVALENT CHROMIUM PER T.P.Co. SPEC. #H43.
 - 2. MUST BE CLEAN AND FREE FROM BURRS & SHARP EDGES.
 - 3. NO BURRS ON O.D.-I.D. MUST ACCEPT A ϕ .315 GAGE PIN

3D, VNX3

Q.A. SYMBOLS	
★	= CATEGORY I
▲	= CATEGORY II
■	= CATEGORY III
□	= CATEGORY IV

AE
KIT
TP

BANNER User: rsnyder Part/Rev: ae-70459_ae-a prt Date: 31-Jan-06 Time: 12:02

		TS 18JAN06		DATE		DIS.CODE		NAME GROMMET SLEEVE	
		#244405-000 REDRAWN IN 3D		CHANGE		DWN. BATHGATE 27JUN01		CK. ON FILE	
		CHANGED NOTE		DATE		APR. ON FILE		SCALE 2:1 & NOTED	
		AE		LC		MATERIAL LOW CARBON STEEL PER SAE J526		THIS PRINT SUPERSEDES ALL PRINTS PRIOR TO	
		AE		LC		TECUMSEH PRODUCTS CO. TECUMSEH, MICHIGAN		DRAWING NO. 70459	

DO NOT SCALE THIS DRAWING ALL FERROUS MATERIALS MUST NOT BE MAGNETIZED AS RECEIVED OR AT COMPRESSOR ASSEMBLY.

THIS DRAWING OR PRINT (I) IS THE PROPERTY OF TECUMSEH PRODUCTS COMPANY AND CONTAINS PROPRIETARY AND CONFIDENTIAL INFORMATION BELONGING TO TECUMSEH. (I) IS MADE AVAILABLE TO THE RECIPIENT ON THE EXPRESS AND SPECIFIC CONDITION THAT NEITHER IT NOR THE INFORMATION CONTAINED THEREON OR DISCLOSED THEREIN SHALL BE DISCLOSED OR MADE AVAILABLE TO OTHERS WITHOUT THE EXPRESS AND SPECIFIC WRITTEN CONSENT OF TECUMSEH AND THAT SUCH INFORMATION ONLY AS EXPRESSLY AND SPECIFICALLY APPROVED IN WRITING BY TECUMSEH AND NOT OTHERWISE. (I) SHALL NOT BE COPIED OR DUPLICATED IN ANY MANNER OR TO ANY EXTENT WITHOUT TECUMSEH'S PRIOR EXPRESS AND SPECIFIC WRITTEN CONSENT. (I) SHALL BE RETURNED TO TECUMSEH AT THE RECIPIENT'S REQUEST PROMPTLY AFTER SUCH REQUEST IS MADE.