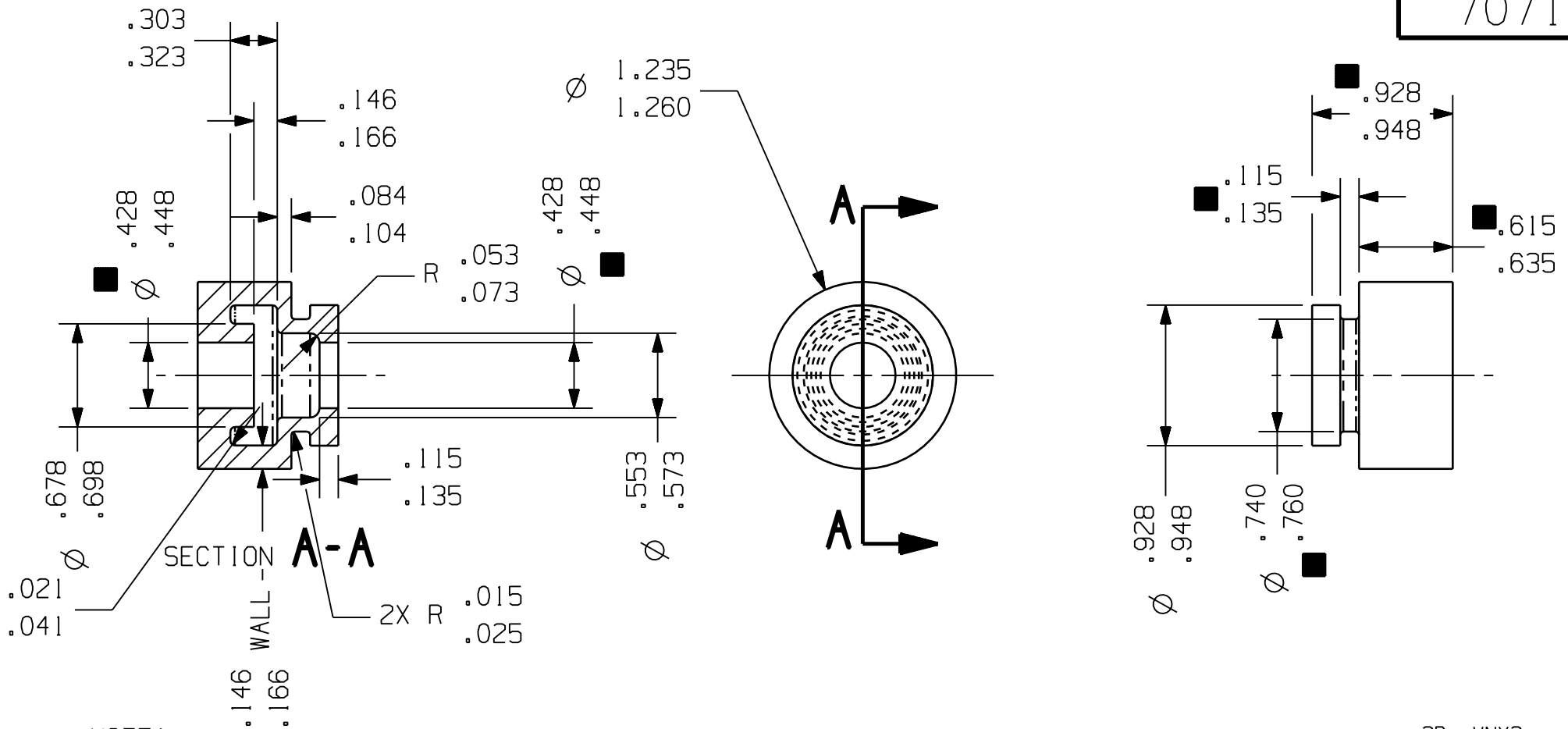


DRAWING NO.
70711



NOTE!

- MATERIAL: A.S.T.M D2000-S.A.E. J200 ■ 2BC415A14B14C20 (NEOPRENE) OR ■ 3BA415A14B13C12F17 (E.P.D.M.) OR 4AA415A13B13C20 (S.B.R.) PER T.P.Co. SPEC. #H-110.
- COLOR: BLACK, ■ DUROMETER 37±3.
- DUROMETER IS TO BE DETERMINED BY CHECKING BUTTONS PROVIDED BY THE VENDOR FROM THE PRODUCTION RUN OF GROMMETS.

3D, VNX3

O.A. SYMBOLS	
★	= CATEGORY I
▲	= CATEGORY II
■	= CATEGORY III
□	= CATEGORY IV

BANNER User: rsnyder Part/Rev: oe-70711_00-a.prt Date: 18-Jul-05 Time 14:55

AMIT 08JUL05		DATE		DIS.CODE ..		NAME GROMMET				
AA	4A	#243945-000 NOTE 3 ADDED	---			DWN. BATHGATE 28JUN01	CK. ON FILE	APR. ON FILE	SCALE 1:1	THIS PRINT SUPERSEDES ALL PRINTS PRIOR TO
Z	--	#XXXXX-XXX REDRAWN	NO CHANGE			TECUMSEH PRODUCTS CO. TECUMSEH, MICHIGAN				DRAWING NO. 70711
LT	LC	CHANGE				MATERIAL ELASTOMER AS SPECIFIED				

THIS DRAWING OR PRINT (I.I.) IS THE PROPERTY OF TECUMSEH PRODUCTS COMPANY AND CONTAINS PROPRIETARY AND CONFIDENTIAL INFORMATION BELONGING TO TECUMSEH. (I.I.) IS MADE AVAILABLE TO THE RECIPIENT ON THE EXPRESS AND SPECIFIC CONDITION THAT NEITHER IT NOR THE INFORMATION CONTAINED THEREON OR DISCLOSED THEREIN SHALL BE DISCLOSED OR MADE AVAILABLE TO OTHERS WITHOUT THE EXPRESS AND SPECIFIC WRITTEN CONSENT OF TECUMSEH AND THAT SUCH INFORMATION ONLY AS EXPRESSLY AND SPECIFICALLY APPROVED IN WRITING BY TECUMSEH AND NOT OTHERWISE. (I.I.I) SHALL NOT BE COPIED OR DUPLICATED IN ANY MANNER OR TO ANY EXTENT WITHOUT TECUMSEH'S PRIOR EXPRESS AND SPECIFIC WRITTEN CONSENT. (I.V) THIS DRAWING IS TO BE RETURNED TO THE RECIPIENT THEREOF TO TECUMSEH AT THE LATTER'S REQUEST PROMPTLY AFTER SUCH REQUEST IS MADE.

DO NOT SCALE THIS DRAWING ALL FERROUS MATERIALS MUST NOT BE MAGNETIZED AS RECEIVED OR AT COMPRESSOR ASSEMBLY.