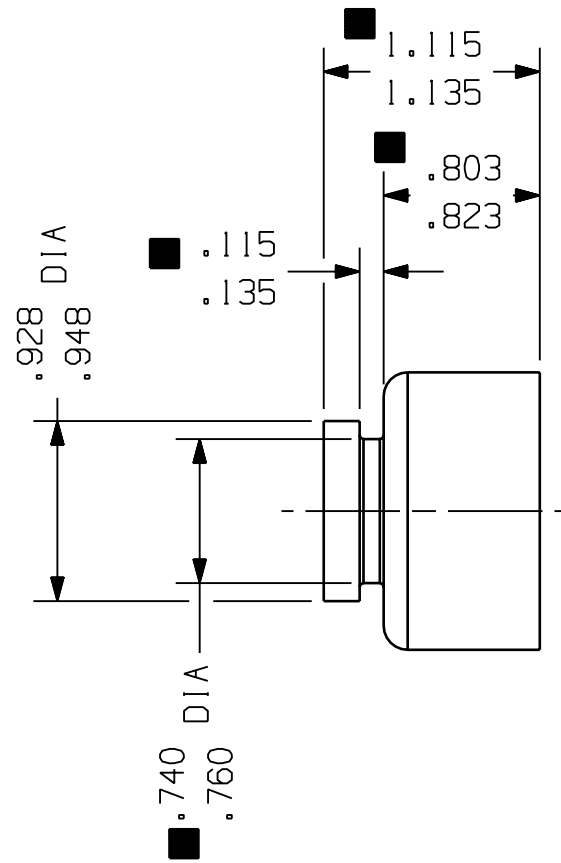
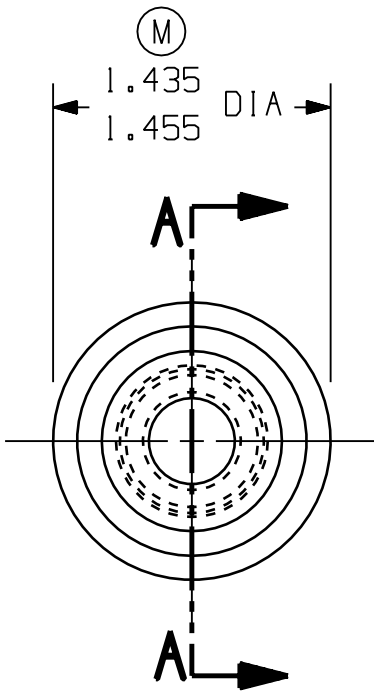
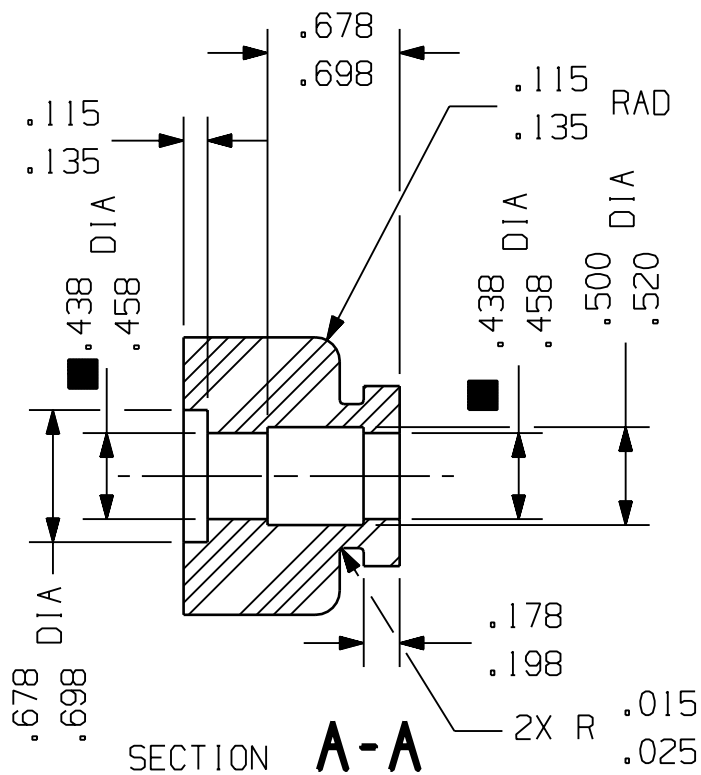


DRAWING NO.
70749



NOTES:

1. MATERIAL - A.S.T.M. D2000 - S.A.E. J200 ■ 2BC415A14B14C20 (NEOPRENE) OR ■ 3BA415A14B13C12F17 (E.P.D.M.) PER T.P.Co. SPEC. #H110.
2. COLOR - BLACK, ■ DUROMETER 37 ± 3.
3. ALT. MATERIAL - 4AA415A13B13C20 (TIMKO COMPOUND 35).
4. (R) DUROMETER IS TO BE DETERMINED BY CHECKING BUTTONS PROVIDED BY THE VENDOR FROM THE PRODUCTION RUN OF GROMMETS.

3D, VNX3

O.A. SYMBOLS	
★	= CATEGORY I
▲	= CATEGORY II
■	= CATEGORY III
□	= CATEGORY IV

SA
AV
AH
U

4	3	2	1
AMIT 16JUL05	HMB 2/11/92	HB 6/14/90	R.F.S. 9/12/89
#243945-000 REVISED O.A. SYMBOLS & NOTE 4 ADDED	O.A. SYMBOLS CHANGED TO CATEGORY III #225047	O.A. SYMBOLS REMOVED & ADDED #222168	#220604 WAS 1.428-1.448 REDWN, NO CHG. ON CAD
R	P	N	M
4A	-	-	3C
LC	CHANGE	DATE	THIS DRAWING OR PRINT IS THE PROPERTY OF TECUMSEH PRODUCTS. IT IS TO BE USED ONLY FOR THE INFORMATION BELONGING TO TECUMSEH. (III) IS MADE AVAILABLE TO THE RECIPIENT ON THE EXPRESS AND SPECIFIC CONDITION THAT NEITHER IT NOR THE INFORMATION CONTAINED THEREON OR DISCLOSED THEREIN SHALL BE DISCLOSED OR MADE AVAILABLE TO OTHERS WITHOUT THE EXPRESS AND SPECIFIC WRITTEN CONSENT OF TECUMSEH AND THAT SUCH INFORMATION ONLY AS EXPRESSLY AND SPECIFICALLY APPROVED IN WRITING BY TECUMSEH AND NOT OTHERWISE. (III) SHALL NOT BE COPIED OR DUPLICATED IN ANY MANNER OR TO ANY EXTENT WITHOUT TECUMSEH'S PRIOR EXPRESS AND SPECIFIC WRITTEN CONSENT. (IV) THEREOF TO BE RETURNED TO THE RECIPIENT AT THE RECIPIENT'S REQUEST PROMPTLY AFTER SUCH REQUEST IS MADE.
DIS.CODE	NAME		
215	GROMMET		
DWN. R. SPENCE 9/12/89	CK. McCAUGHEY 2-11-92	APR. BLANDEN	SCALE 1:1
TECUMSEH PRODUCTS CO. TECUMSEH, MICHIGAN			THIS PRINT SUPERSEDES ALL PRINTS PRIOR TO
MATERIAL			DRAWING NO.
ELASTOMER AS SPECIFIED			70749

User: rbnryder Part/Rev: 01-70749_r1 Date: 18-Jul-05 Time: 16:10