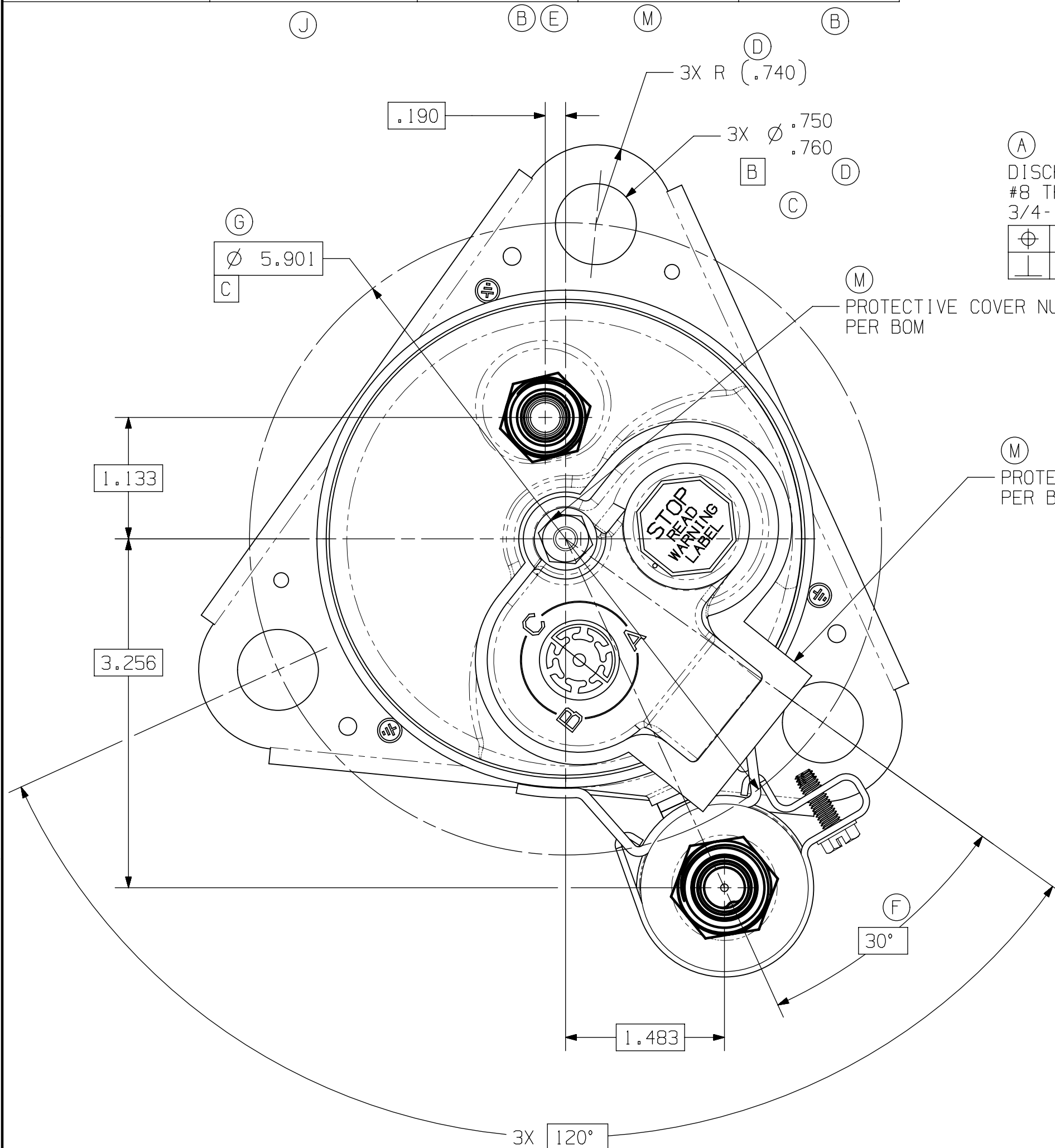


DRAWING NUMBER	COMPRESSOR MODEL	A	B	C
DCMX07-001	SIERRAXX-0434XX	6.746-7.146	6.415	6.410-6.810
DCMX07-002	SIERRAXX-0982XX	6.746-7.146	7.523	7.391-7.791

DWG NO.
DCMX07 NO



(A)
DISCHARGE-
#8 THREADED BRASS FITTING
3/4-16UNF-2A

⌀	⌀ .250 (M)	A	B (M)	(B)
L	.040	A	(N)	(C)

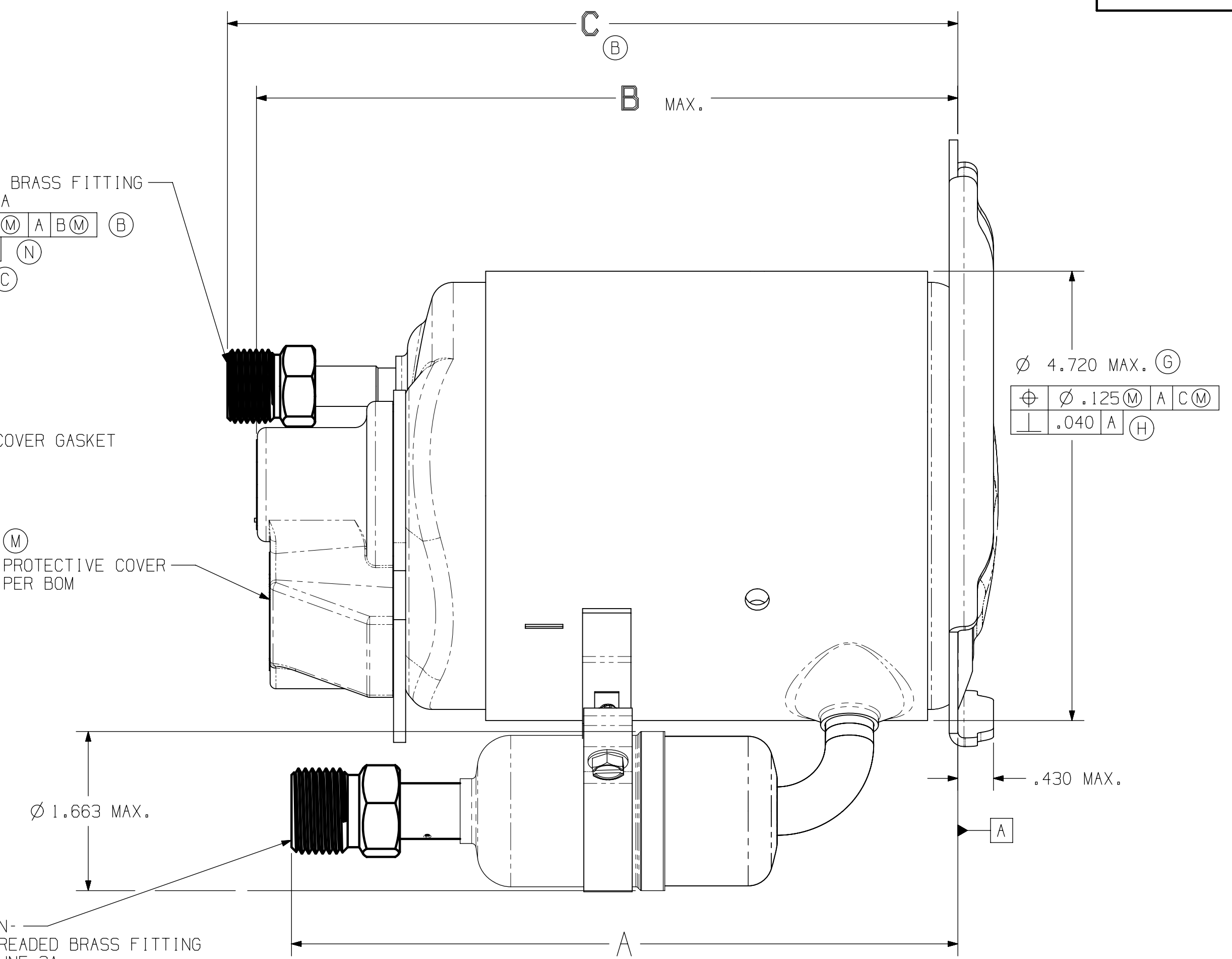
(M)
PROTECTIVE COVER NUT
PER BOM

(M)
PROTECTIVE COVER GASKET
PER BOM

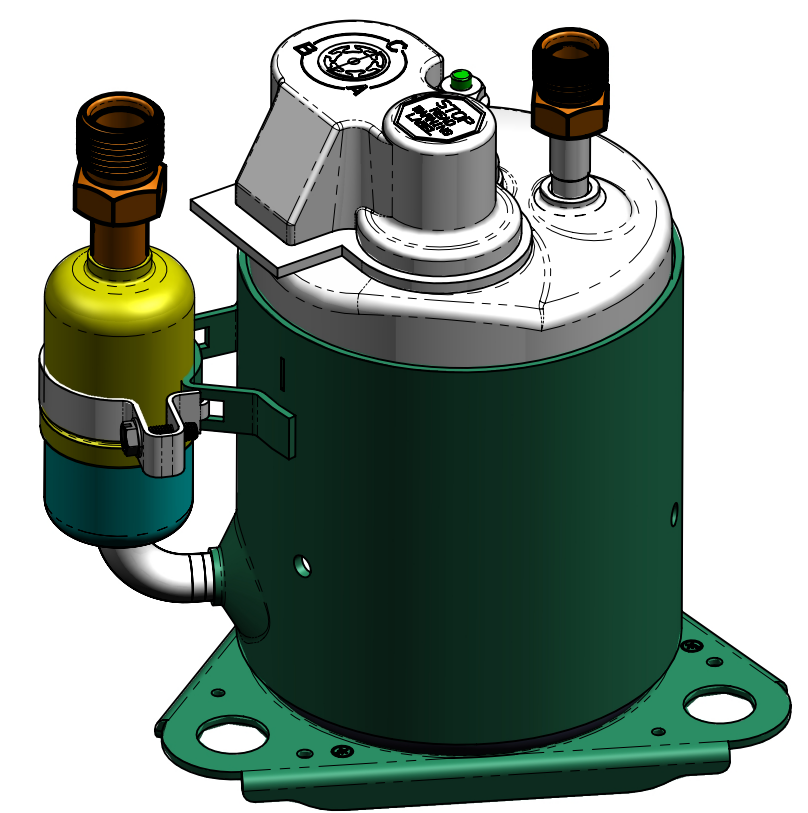
(M)
PROTECTIVE COVER
PER BOM

SUCTION-
#10 THREADED BRASS FITTING
7/8-14UNF-2A

⌀	⌀ .200 (M)	A	B (M)
L	.040	A	(N)



- NOTES:
1. PROTECTIVE COVER, PROTECTIVE COVER GASKET AND PROTECTIVE COVER NUT ASSEMBLED IF CALLED FOR ON BILL OF MATERIAL.
 2. TERMINAL COVER MOUNTING STUD THREADS MUST BE FREE OF PAINT.
 3. TORQUE TERMINAL COVER NUT TO 15-20 IN-LBS.
 - ▲ 4. MUST COMPLY WITH T.C.Co. GLOBAL SPEC 08.



SCALE 1:2

ENGLISH

Q. A. SYMBOLS

- ★ = CATEGORY I
- ▲ = CATEGORY II
- = CATEGORY III
- = CATEGORY IV

LT	LC	CHANGE	DATE
5E	5E	DISCHARGE NOTE MODIFIED	04OCT19
5C	5C	SUCTION NOTE MODIFIED	
6F	6F	EC84507 UPDATED DESCRIPTIONS	10APR18
5D	5D	WAS 7.396	
		EC85329 ADDED	RDS 21MAY15
		NOTE #3 & #4	
7F	7F	EC34926 ADDED COLUMN	15OCT10
1D	1D	ADDED NOTE	30MAY10
6E	6E	ADDED	21JAN10
		NOTE 2 ADDED	
6F	6F	COLUMN D REMOVED	20AUG09
		WAS D	
7F	7F	WAS 6.697-7.087	SP 05DEC08
		WAS 6.792-7.087	
5E	5E	REMOVED POSITION	09APR08
6F	6F	NOTE	
		WAS .750-.750	
5E	5E	EC17624	SP 07APR08
5E	5E	WAS .040	
5E	5E	WAS .125	
4B	4B	WAS .125	
2E	2E	*MAX. MOVED FROM C TO B	
6F	6F	WAS	EAR 22OCT07
		6.680-6.880	
6F	6F	WAS 6.19	
		6.410-7.610	
4B	4B	ADD 60X1	
5E	5E	EC8884	EAR 16APR07
		WAS 1.4UNF	
REL	REL	EC2777	----

D1S.CODE		DESCRIPTION		SALES COMPRESSOR	
DWN.	EAR 16NOV06	CK.	ON FILE	APR.	ON FILE
SCALE 1:1 & NOTED			THIS PRINT SUPERSEDES ALL PRINTS PRIOR TO		
MATERIAL			DWG NO.		
NOTED			DCMX07 NO		