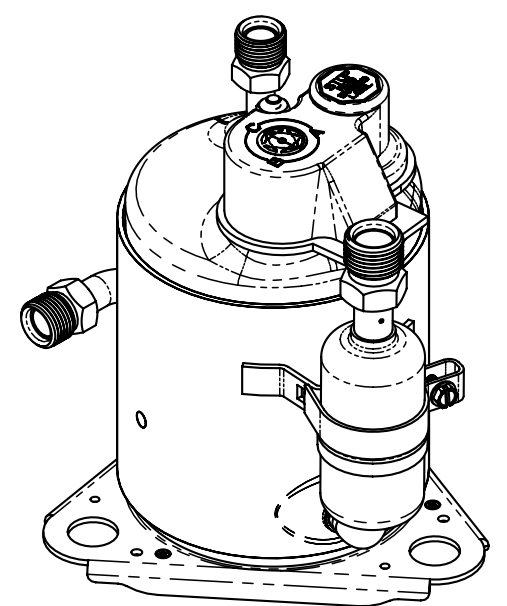
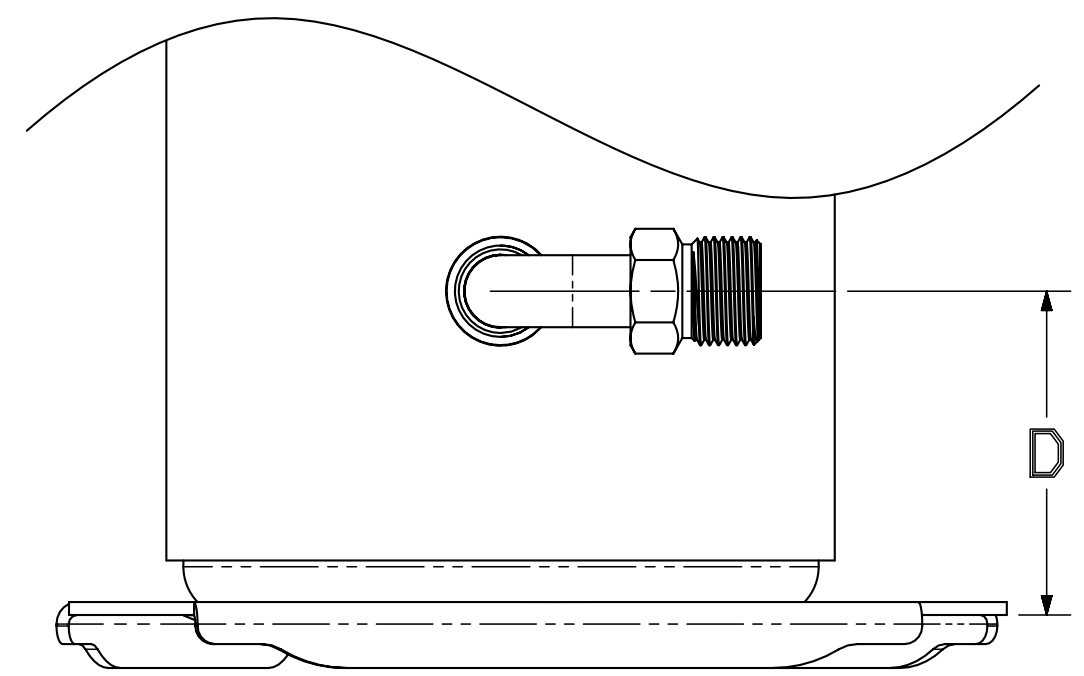
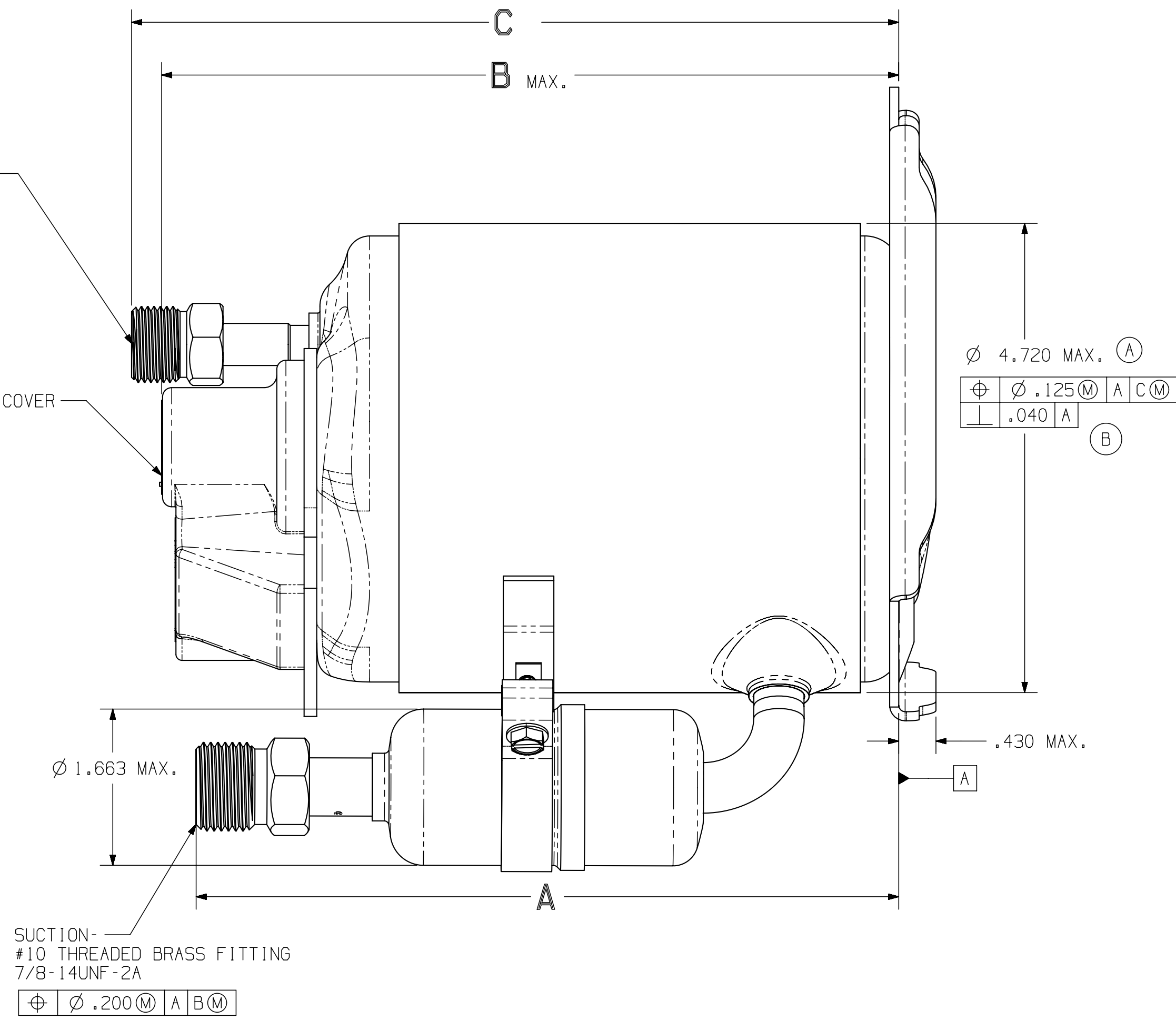
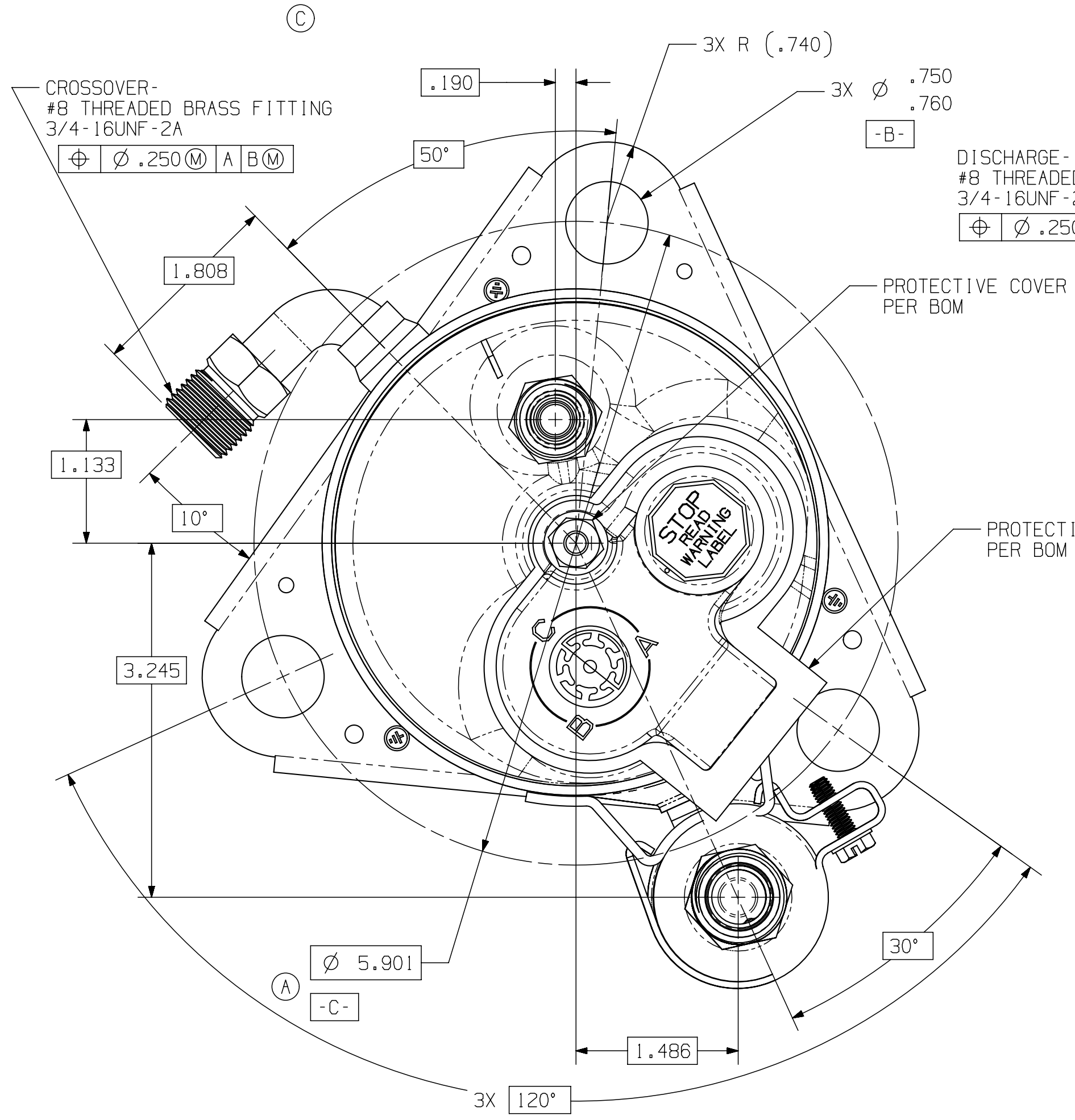


DRAWING NUMBER	COMPRESSOR MODEL	A	B	C	D
DCMX11-001	SIERRAXX-0434XX	6.746-7.146	6.415	6.410-6.810	1.729-2.129
DCMX11-002	SIERRAXX-0982XX	6.746-7.146	7.396	7.391-7.791	2.030-2.430
DCMX11-003	SIERRA10-0982XX	6.746-7.146	7.523	7.391-7.791	2.030-2.430

DRAWING NO.
DCMX11 NO



MASTERFLUX - SIERRA

- NOTE:
1. PROTECTIVE COVER GASKET, PROTECTIVE COVER, AND PROTECTIVE COVER NUT ASSEMBLED IF CALLED FOR ON BILL OF MATERIAL.
 2. MUST COMPLY WITH T.C.Co. GLOBAL SPEC 08.
 3. TERMINAL COVER MOUNTING STUD THREADS MUST BE FREE OF PAINT.
 4. TORQUE TERMINAL COVER NUT TO 15-20 IN-LBS.

REV	DATE	DESCRIPTION	BY	CHKD	APP'D	SCALE	THIS PRINT SUPERSEDES ALL PRINTS PRIOR TO
F	21MAY15	RDS ADDED NOTE #3 & #4				1:1 & NOTED	
E	10SEP13	RDS ADDED DCMX11-003					
D	11JUL12	RDS CHANGED COL D					
C	15OCT10	SP ADDED COLUMN					
B	30MAY10	SP ADDED NOTE					
A	21JAN10	SP ADDED					
REL	EC27478						
LT	CHANGE						

DIS.CODE		NAME		SALES COMPRESSOR	
DWN. SP 20AUG09	CK. ON FILE	APR. ON FILE	SCALE 1:1 & NOTED	THIS PRINT SUPERSEDES ALL PRINTS PRIOR TO	
MATERIAL			NOTED		DRAWING NO. DCMX11 NO

ENGLISH

Q.A. SYMBOLS

- ★ = CATEGORY I
- ▲ = CATEGORY II
- = CATEGORY III
- = CATEGORY IV

DO NOT SCALE THIS DRAWING ALL FERROUS MATERIALS MUST BE MAGNETIZED AND RECEIVED OR COMPRESSOR ASSEMBLY.

THIS DRAWING OR PRINT (1) IS THE PROPERTY OF MASTERFLUX AND CONTAINS INFORMATION BELONGING TO MASTERFLUX. NO REPRODUCTION OR TRANSMISSION OF THIS DRAWING OR PRINT IS PERMITTED WITHOUT THE EXPRESS AND SPECIFIC WRITTEN CONSENT OF MASTERFLUX. ANY REPRODUCTION OR TRANSMISSION OF THIS DRAWING OR PRINT WITHOUT THE EXPRESS AND SPECIFIC WRITTEN CONSENT OF MASTERFLUX IS PROHIBITED. MASTERFLUX SHALL NOT BE RESPONSIBLE FOR ANY DAMAGE OR LOSS OF PROFITS OR BUSINESS OF ANY KIND, INCLUDING REASONABLE ATTORNEY'S FEES, ARISING OUT OF OR FROM THE USE OF THIS DRAWING OR PRINT. SUCH REQUEST IS MADE.