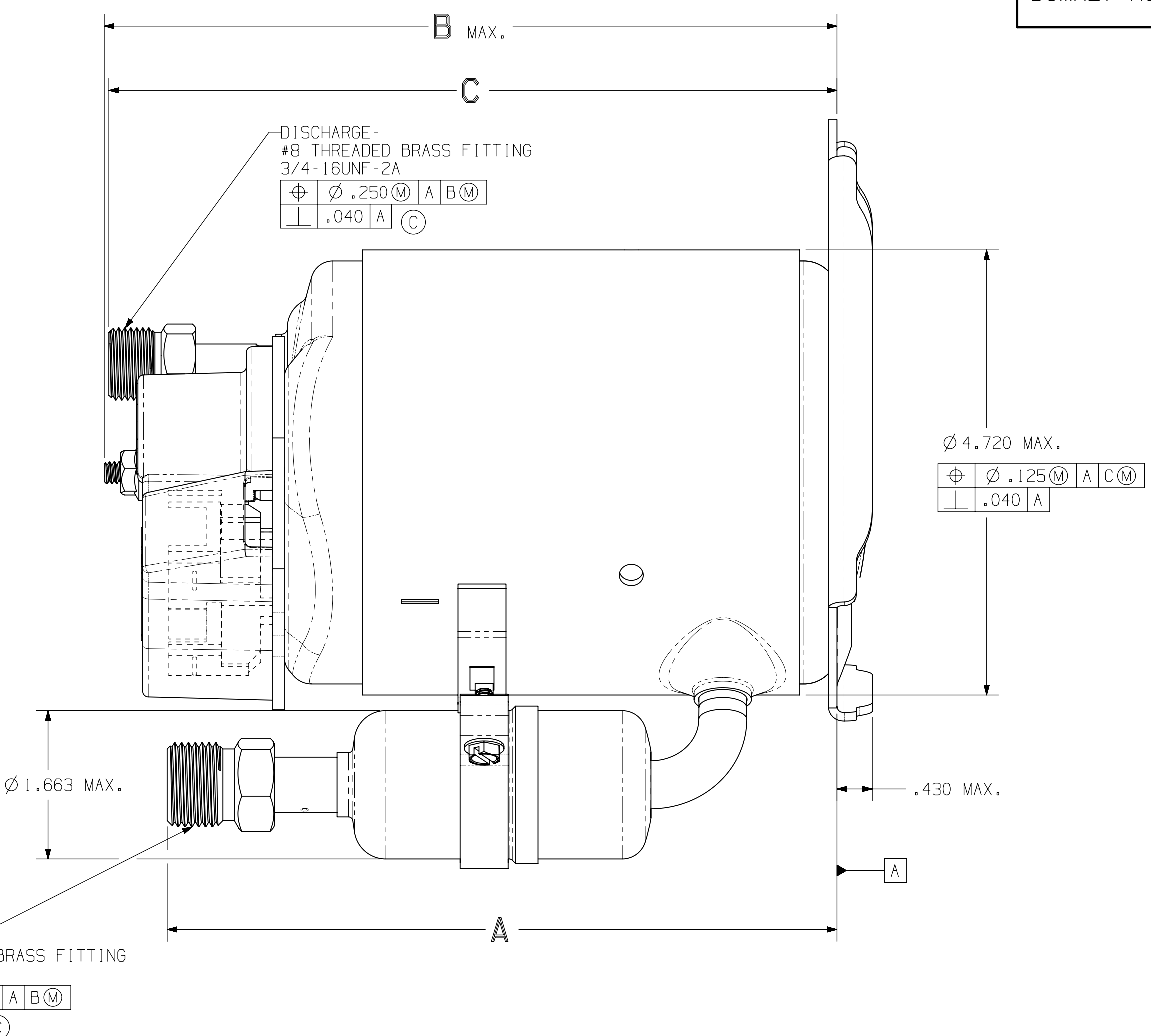
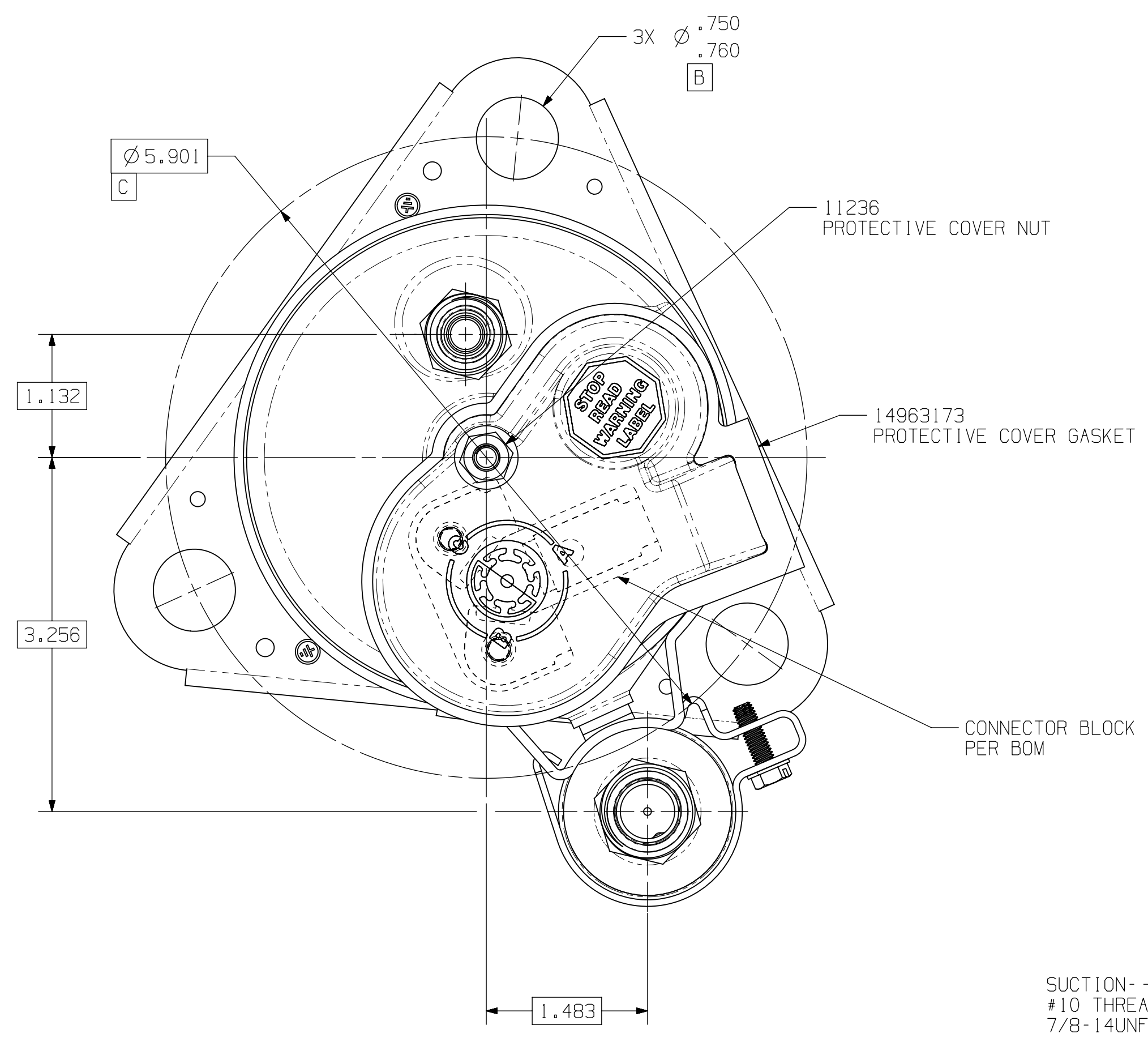


DRAWING NUMBER	COMPRESSOR MODEL	A	B	C
DCMX27-001	SIERRAXX-0434XX	6.787-7.187	6.749	6.324-6.724
DCMX27-002	SIERRAXX-0982XX	6.787-7.187	7.730	7.395-7.795

DWG NO.  
DCMX27 NO



NOTES:

1. PROTECTIVE COVER, PROTECTIVE COVER GASKET AND PROTECTIVE COVER NUT ASSEMBLED IF CALLED FOR ON BILL OF MATERIAL.
2. TERMINAL COVER MOUNTING STUD THREADS MUST BE FREE OF PAINT.
3. TORQUE TERMINAL COVER NUT TO 15-20 IN-LBS.
- ▲ 4. MUST COMPLY WITH T.C.Co. GLOBAL SPEC 08.

ENGLISH

Q.A. SYMBOLS  
 ★ = CATEGORY I  
 ▲ = CATEGORY II  
 ■ = CATEGORY III  
 = CATEGORY IV

SCALE 1:2

MASTERFLUX - SIERRA

REV	LT	LC	CHANGE	DATE	DWG NO.	DESCRIPTION
REL	EC56750			02NOV15	DCMX27 NO	SALES COMPRESSOR
A			NOTE #3 & #4	02NOV15		
B			ADDED	30JAN17		
C			MODIFIED	04OCT19		

THIS DRAWING OR PRINT (1:1) IS THE PROPERTY OF MASTERFLUX AND CONTAINS PROPRIETARY AND CONFIDENTIAL INFORMATION. IT IS TO BE KEPT IN CONFIDENTIALITY AND IS NOT TO BE REPRODUCED, COPIED, OR DISCLOSED IN ANY MANNER WITHOUT THE WRITTEN CONSENT OF MASTERFLUX. ANY UNAUTHORIZED DISCLOSURE OR REPRODUCTION OF THIS INFORMATION SHALL BE SUBJECT TO LEGAL ACTION. THIS DRAWING IS THE PROPERTY OF MASTERFLUX AND IS NOT TO BE REPRODUCED, COPIED, OR DISCLOSED IN ANY MANNER WITHOUT THE WRITTEN CONSENT OF MASTERFLUX. ANY UNAUTHORIZED DISCLOSURE OR REPRODUCTION OF THIS INFORMATION SHALL BE SUBJECT TO LEGAL ACTION.	D1S.CODE DESCRIPTION <b>SALES COMPRESSOR</b> DWN. RDS 10FEB14 CK. ON FILE APR. ON FILE SCALE 1:1 & NOTED MATERIAL NOTED	THIS PRINT SUPERSEDES ALL PRINTS PRIOR TO DWG NO. <b>DCMX27 NO</b>
---	---	--