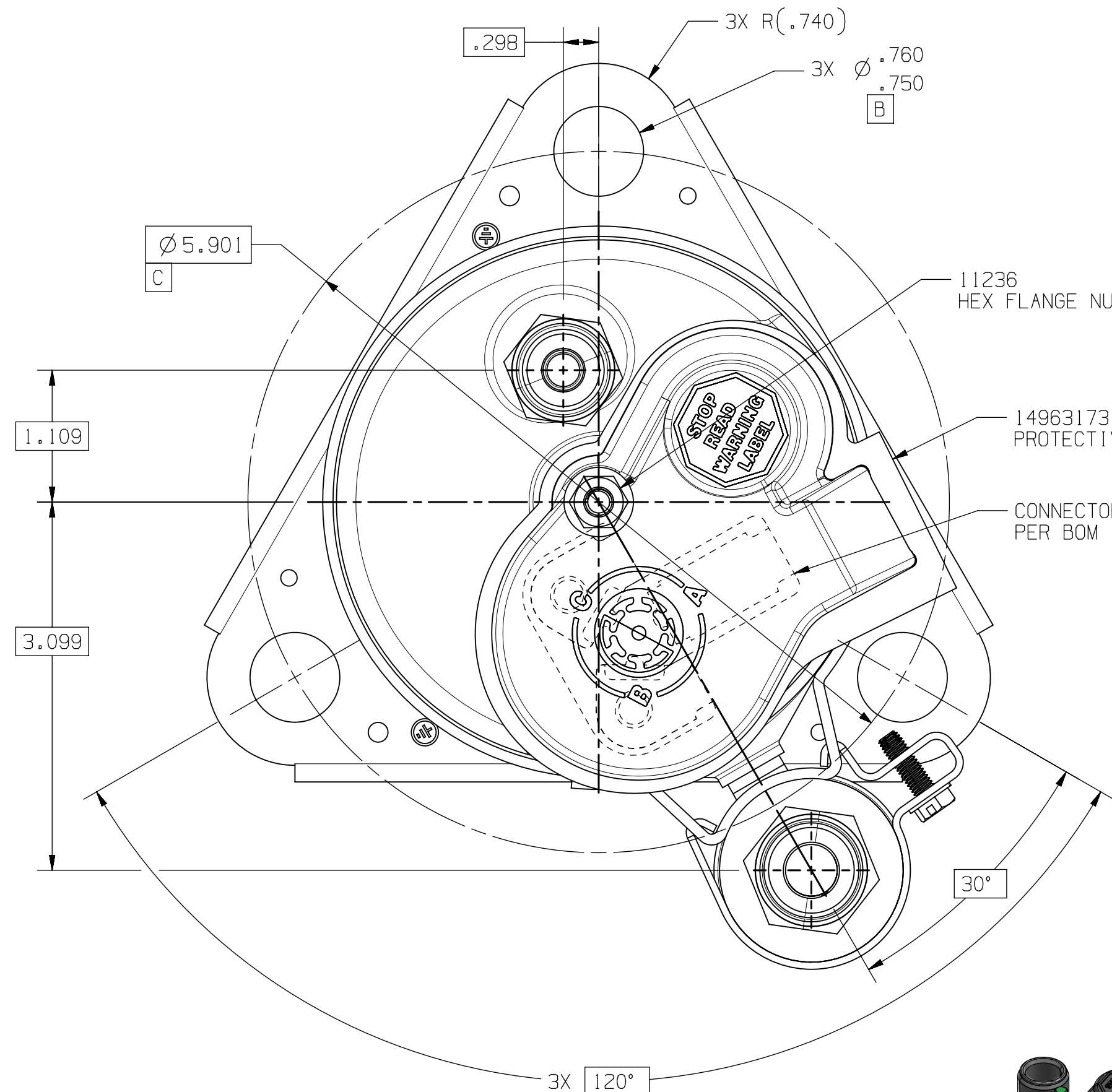


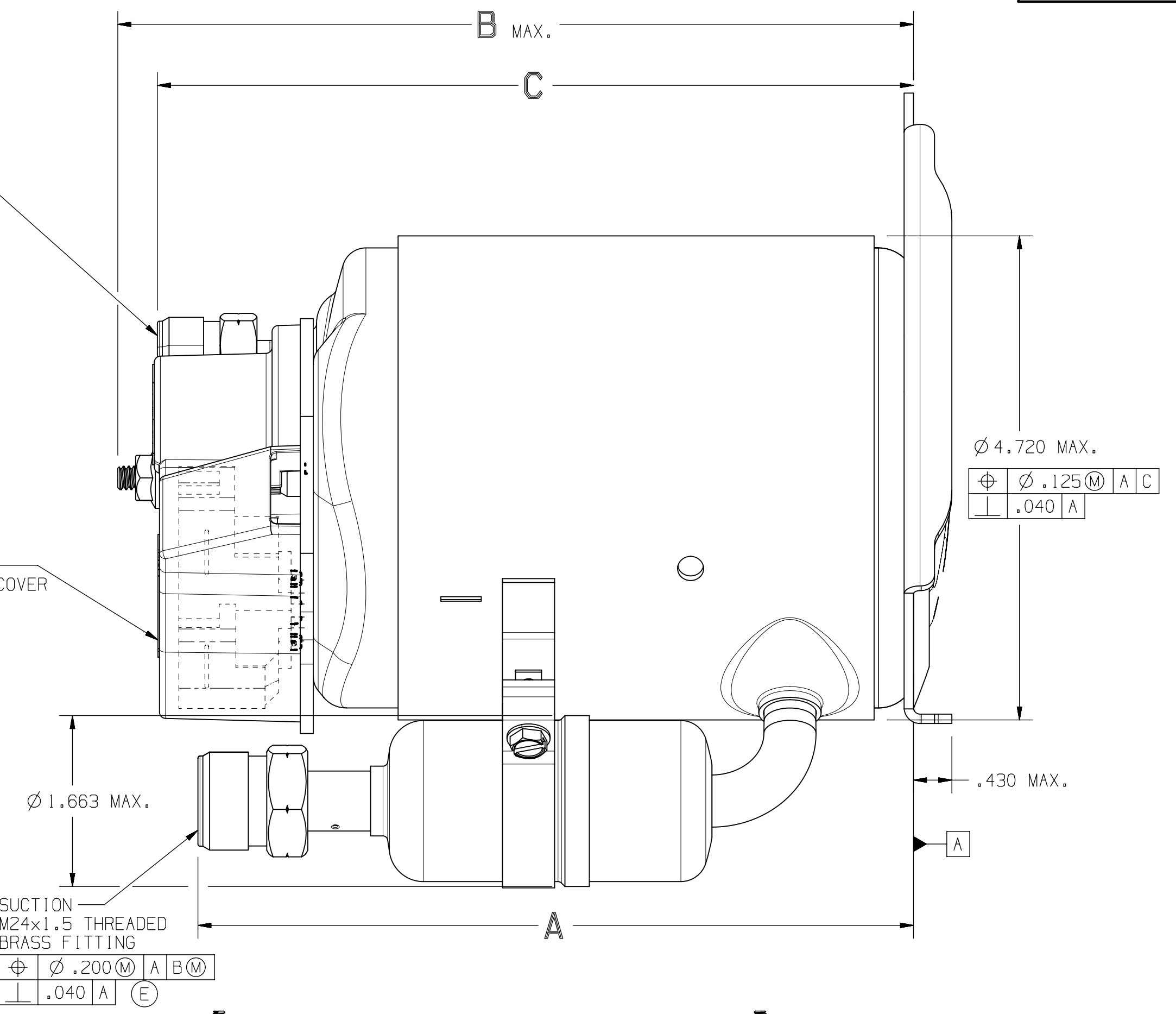
DRAWING NUMBER	COMPRESSOR MODEL	A	B	C
DCMX35-001	SIERRAXX-0434XX	6.683-7.033	6.769	5.951-6.351
DCMX35-002	SIERRAXX-0982XX	6.683-7.033	7.750	7.022-7.422

DWG NO.
DCMX35 NO



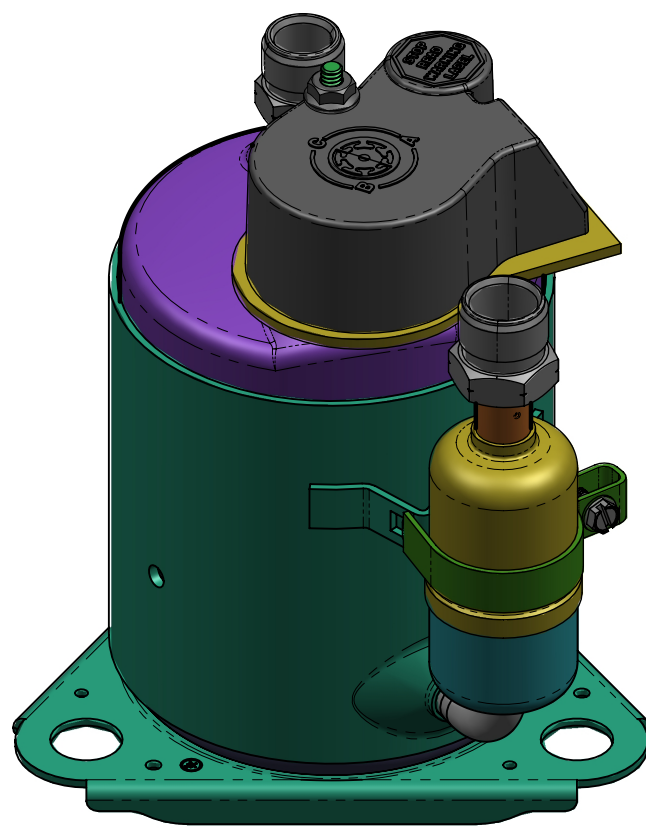
DISCHARGE
M22 X 1.5 THREADED
BRASS FITTING

⊕	∅ .200 (M)	A	B (M)
⊥	.040	A	(E)

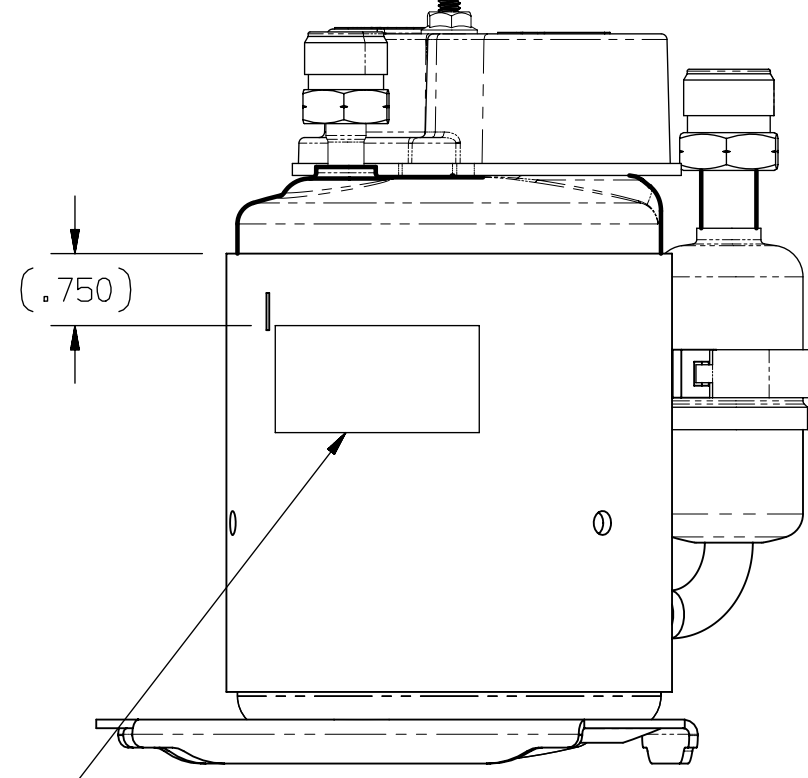


SUCTION
M24x1.5 THREADED
BRASS FITTING

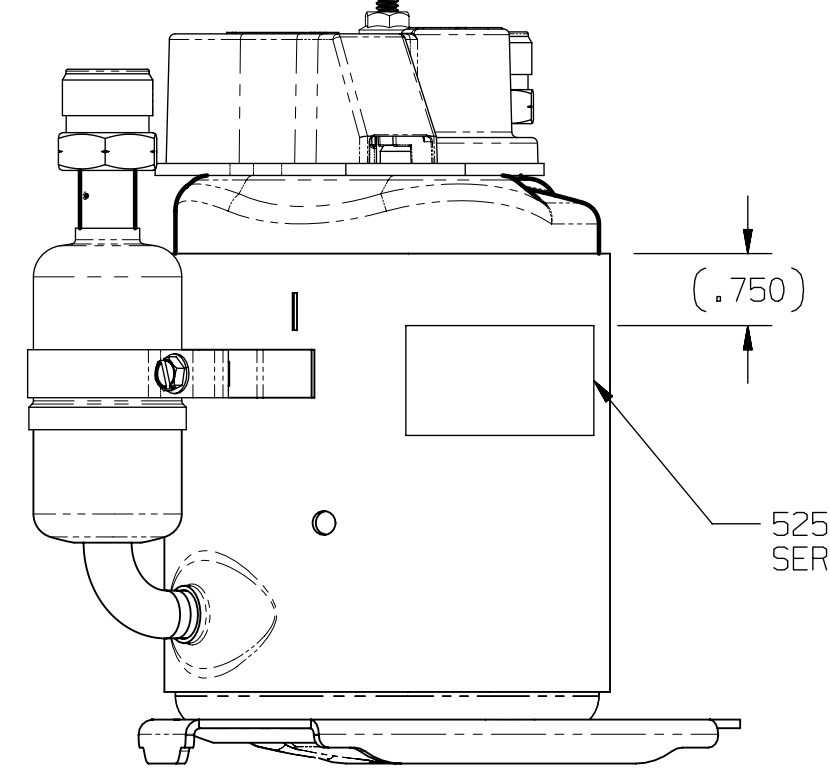
⊕	∅ .200 (M)	A	B (M)
⊥	.040	A	(E)



SCALE 1:2



SCALE 1:2



SCALE 1:2

- NOTES:
1. PROTECTIVE COVER GASKET, PROTECTIVE COVER, AND PROTECTIVE COVER NUT ASSEMBLED, IF CALLED FOR ON BILL OF MATERIAL.
 2. TERMINAL COVER MOUNTING STUD THREADS MUST BE FREE OF PAINT.
 3. TORQUE TERMINAL COVER NUT TO 15-20 IN-LBS.
 - ▲ 4. MUST COMPLY WITH T.C.Co. GLOBAL SPEC 08.

ENGLISH

Q.A. SYMBOLS

- ★ = CATEGORY I
- ▲ = CATEGORY II
- = CATEGORY III
- = CATEGORY IV

REVISIONS										MATERIAL				DESCRIPTION						
E	4C	MODIFIED	04OCT19	BD	04OCT19															
D	4C	MODIFIED	04OCT19	BD	04OCT19															
C	4C	MODIFIED	04OCT19	BD	04OCT19															
B	4C	MODIFIED	04OCT19	BD	04OCT19															
A	4C	MODIFIED	04OCT19	BD	04OCT19															
REL	EC66478	ADDED	02MAY16	RDS	02MAY16															
	EC65329	ADDED	29AUG16	RDS	29AUG16															
	EC73688	ADDED	07SEP16	RDS	07SEP16															
	EC74074	ADDED	07SEP16	RDS	07SEP16															
	EC77625	ADDED	30JAN17	RDS	30JAN17															
	EC92471	ADDED	04OCT19	BD	04OCT19															

MATERIAL		NOTED		SALES COMPRESSOR		DWN. RDS 08JUL15		CK. ON FILE		APR. ON FILE		SCALE 1:1 & NOTED		THIS PRINT SUPERSEDES ALL PRINTS PRIOR TO	
MASTERFLUX														DWG NO. DCMX35 NO	