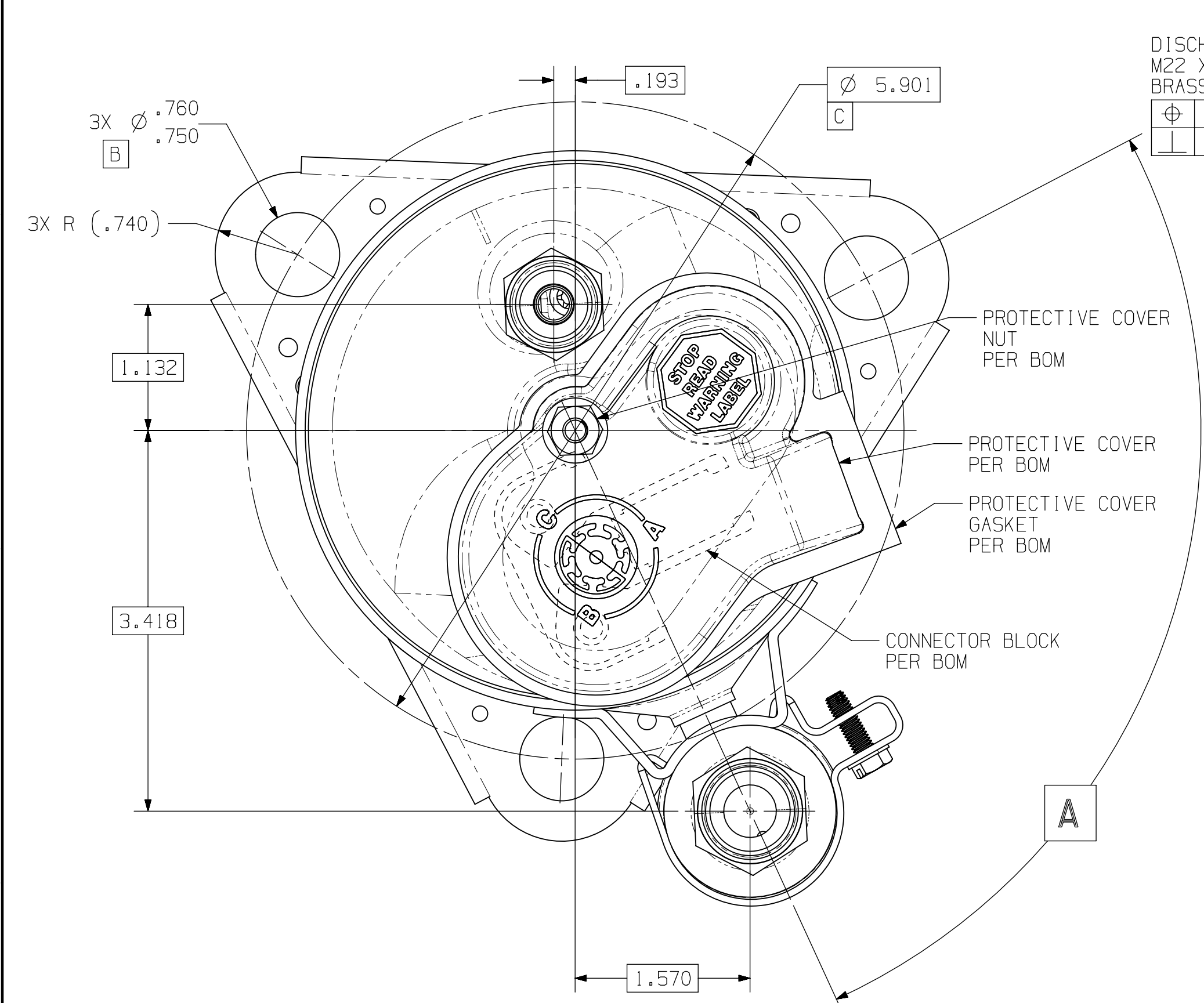


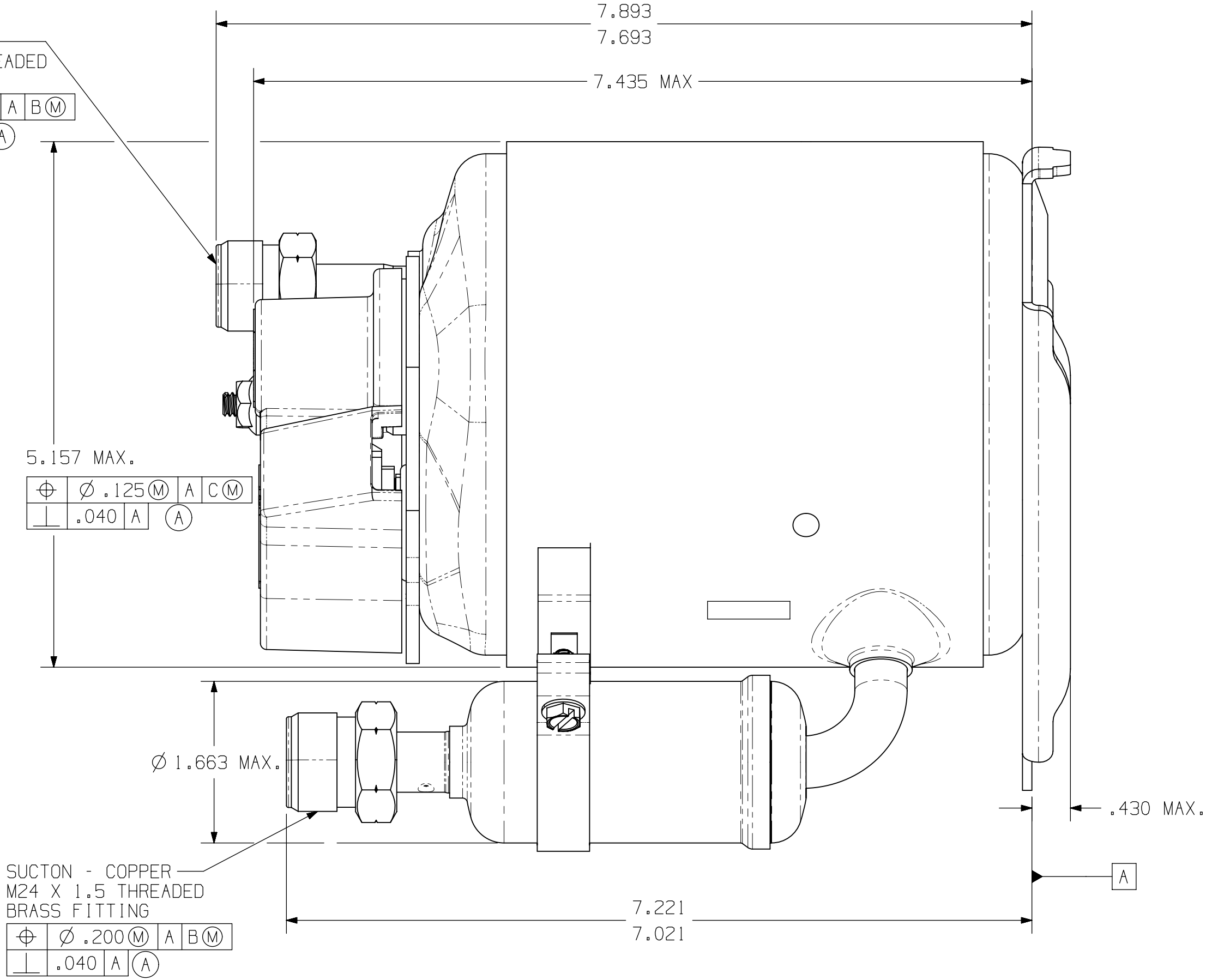
DRAWING NUMBER	COMPRESSOR MODEL	A
DCMX42-002	SIERRAXX-0716XX	93

DWG NO.  
DCMX42 NO

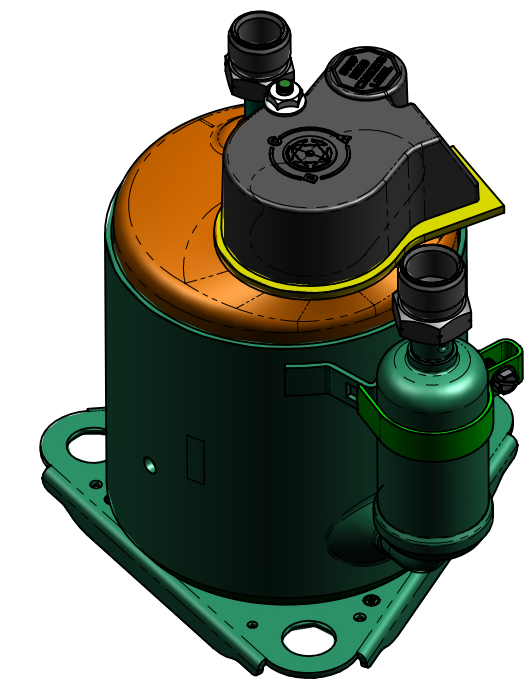


DISCHARGE  
M22 X 1.5 THREADED  
BRASS FITTING

$\phi$	$\phi$ .250 (M)	A	B (M)
L	.040	A	(A)



- NOTES:
1. PROTECTIVE COVER, PROTECTIVE COVER GASKET AND PROTECTIVE COVER NUT ASSEMBLED IF CALLED FOR ON BILL OF MATERIAL.
  2. TERMINAL COVER MOUNTING STUD THREADS MUST BE FREE OF PAINT.
  3. TORQUE TERMINAL COVER NUT TO 15-20 IN-LBS.
  - ▲ 4. MUST COMPLY WITH T.C.Co. GLOBAL SPEC 08.



SCALE 3:8

MASTERFLUX - SIERRA

ENGLISH

	Q. A. SYMBOLS
★	= CATEGORY I
▲	= CATEGORY II
■	= CATEGORY III
■	= CATEGORY IV

EC92471 ATP		BD		DATE		D1S.CODE		DESCRIPTION		SALES COMPRESSOR	
4E		D1S.CHARGE NOTE		070CT19		DWN.		RDS		ON FILE	
4C		SUCTON NOTE		MODIFIED		APR.		ON FILE		SCALE	
REL		EC71023		---		MATERIAL		NOTED		1=1 & NOTED	
A		A		A		MATERIAL		NOTED		THIS PRINT SUPERSEDES ALL PRINTS PRIOR TO	
A		A		A		MATERIAL		NOTED		DWG NO.	
A		A		A		MATERIAL		NOTED		DCMX42 NO	