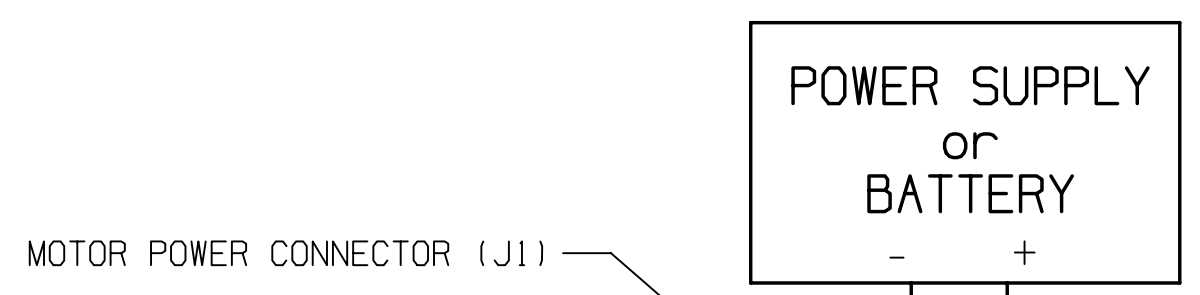
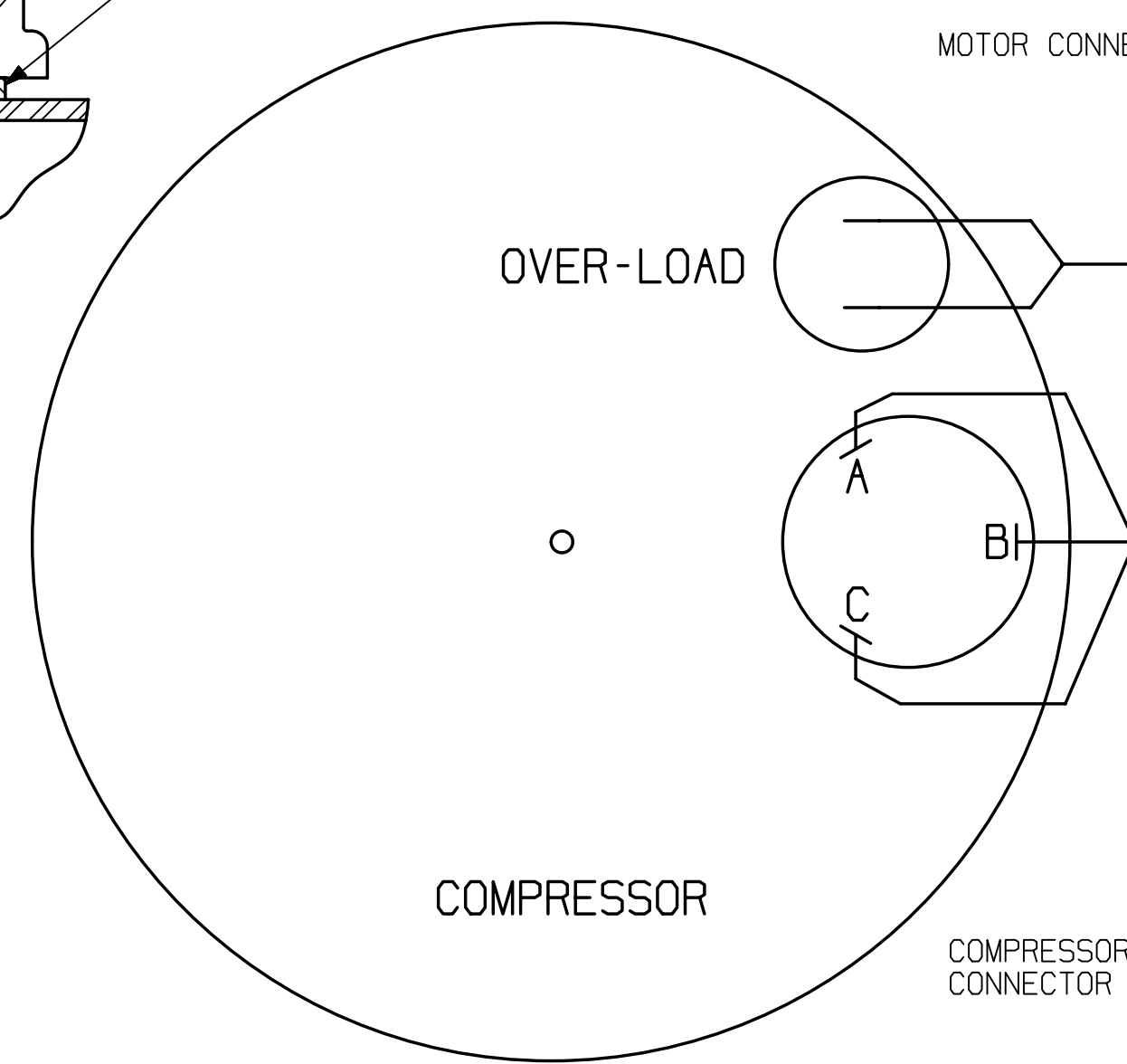
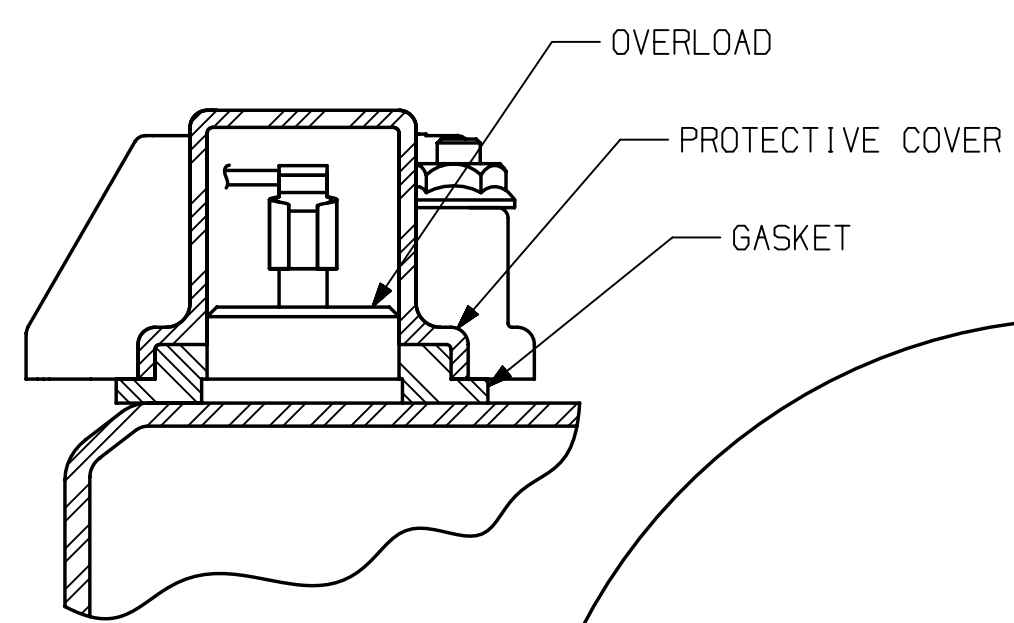
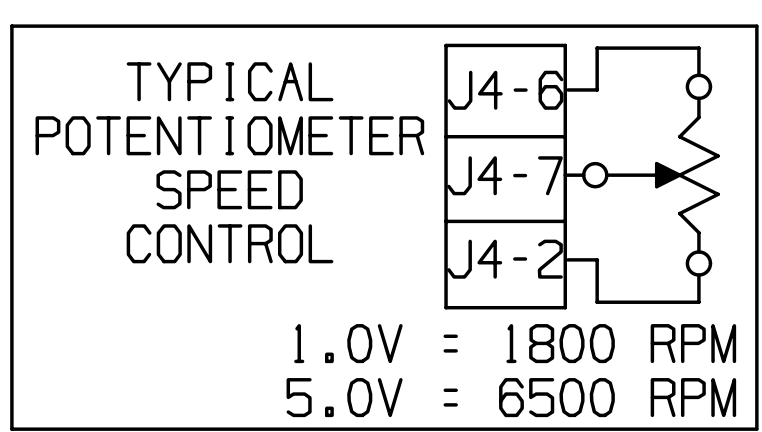
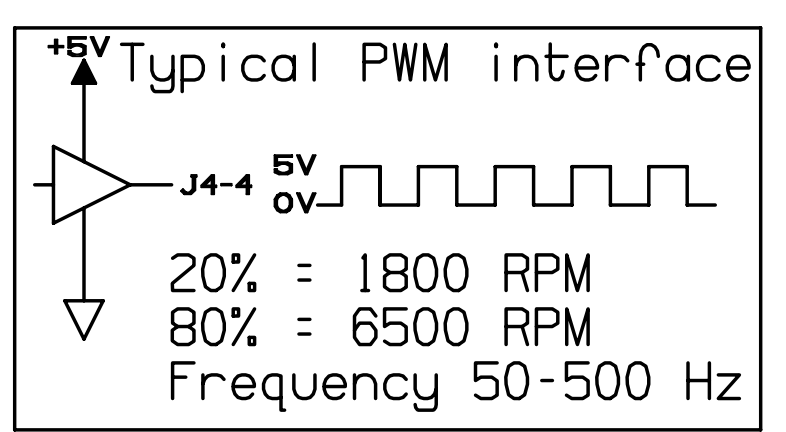
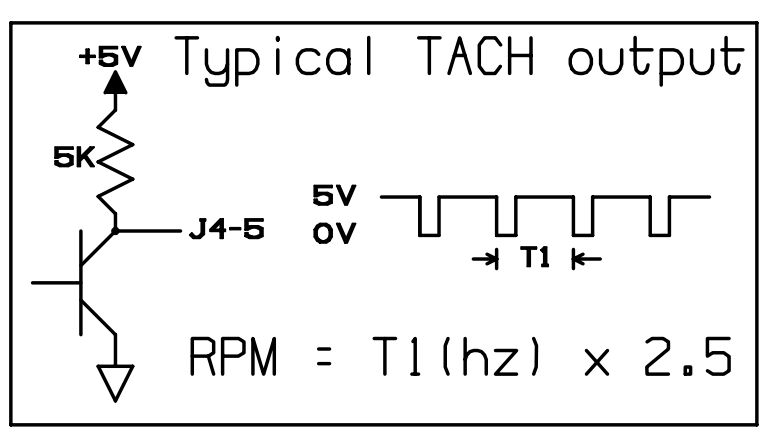
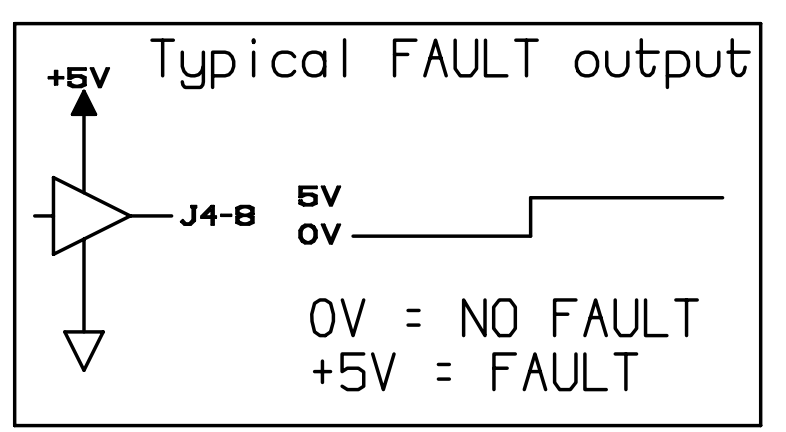
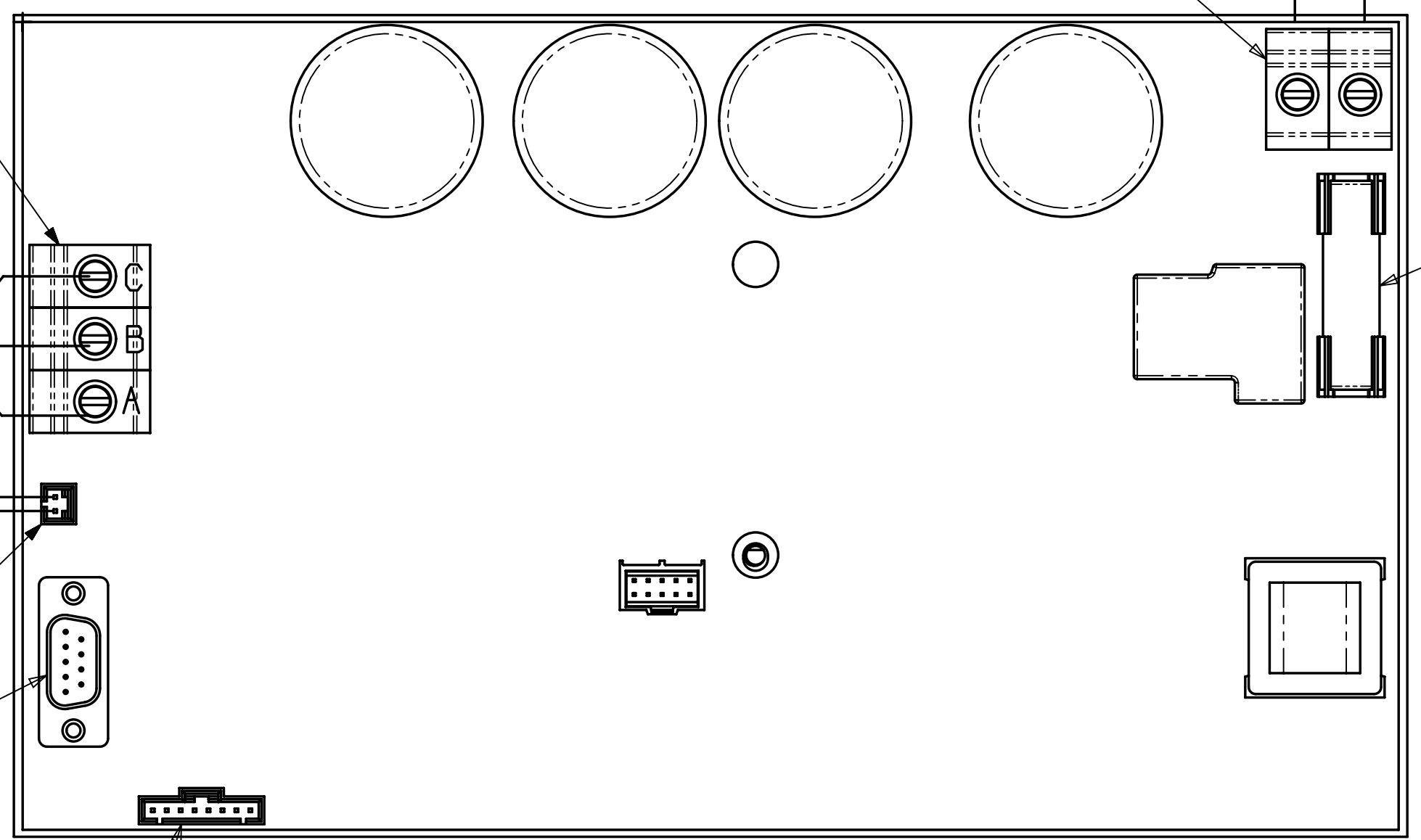


WARNING
 WIRING DIAGRAM MUST BE FOLLOWED AS SHOWN. ANY MISWIRING CAN CAUSE SERIOUS ELECTRICAL HAZARD AND POTENTIAL DAMAGE OR RUPTURE OF COMPONENTS ELECTRICAL PARTS.



RS232 (P1)

| P1-ISOLATED SERIAL PORT | |
|-------------------------|--------|
| P1 PIN | |
| 2 | Rx |
| 3 | Tx |
| 5 | GROUND |



| J4 - ISOLATED USER INTERFACE PINOUT | |
|-------------------------------------|---------------------------------------------------------------------------------------|
| PIN | FUNCTION |
| 1 | N.C. |
| 2 | GROUND |
| 3 | GROUND |
| 4 | DIGITAL SPEED INPUT (PWM) VIL = 0.8 V MAX., VIH = 4.0 MIN., IIH = 5.0 micro Amps MAX. |
| 5 | TACHOMETER OUTPUT, 0-5V PULSE FREQUENCY INDICATES MOTOR SPEED, RPM = 2.5 * Hz |
| 6 | +5V OUTPUT, 50mA MAX. |
| 7 | ANALOG SPEED INPUT 0-5V |
| 8 | FAULT, OUTPUT 0-5V, 0V = NO FAULT, 5V = FAULT, CURRENT 10mA MAX |

ENGLISH

Q.A. SYMBOLS

- ★ = CATEGORY I
- ▲ = CATEGORY II
- = CATEGORY III
- = CATEGORY IV

MX

NOTE:

1. COMPRESSOR UNIT GROUND HOLE LOCATED IN THE MOUNTING FEET OF THE COMPRESSOR.
2. GROUND SCREW IS NOT PROVIDED BY MASTERFLUX.
3. MUST COMPLY WITH T.P.Co. GLOBAL SPEC 08.

| | | | | | | | |
|---------------------|--|--------|--|----------------------------------------|--|-------------------------------------------|--|
| DAS EC53869 22AUG13 | | DATE | | DIS.CODE | | NAME | |
| SP EC40691 05AUG11 | | CHANGE | | DRAWING, SALES, CONTROLLER, ELECTRICAL | | DWN. EAR 05DEC06 | |
| RELD #EC5160 | | DATE | | ON FILE | | APR. ON FILE | |
| LT LC | | DATE | | SCALE 1:1 & NOTED | | THIS PRINT SUPERSEDES ALL PRINTS PRIOR TO | |
| B .. EC53869 | | DATE | | MATERIAL | | DRAWING NO. | |
| A .. EC40691 | | DATE | | NOTED | | DEMXX0006 | |
| RELD #EC5160 | | DATE | | MATERIAL | | DRAWING NO. | |
| LT LC | | DATE | | NOTED | | DEMXX0006 | |