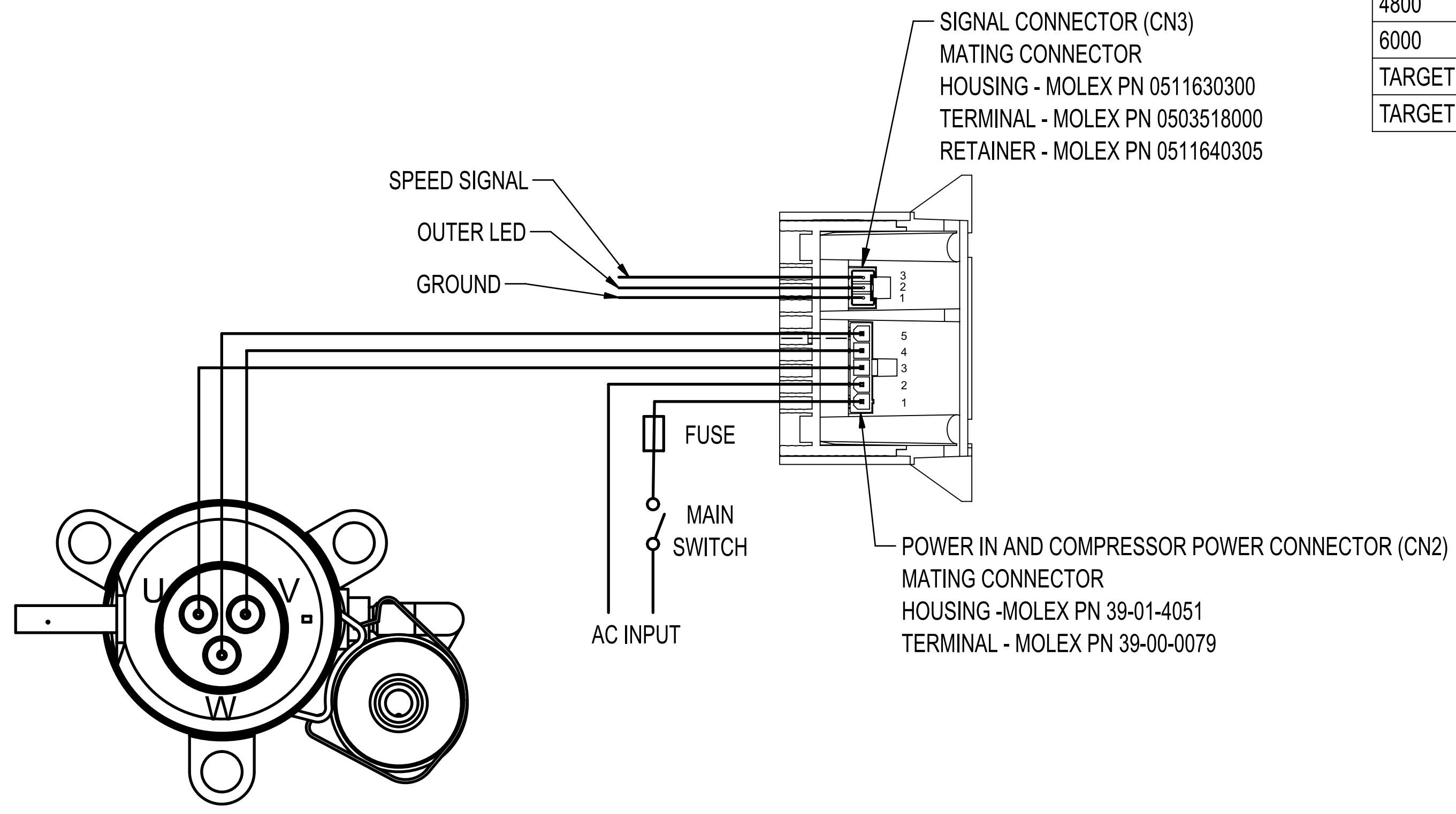


SIGNAL CONNECTOR (CN3)		
PIN	FUNCTION	TYPE
1	GROUND	INPUT
2	OUTER LED	OUTPUT
3	SPEED SIGNAL	INPUT

POWER IN AND COMPRESSOR POWER (CN2)		
PIN	FUNCTION	TYPE
1	100/220	INPUT
2	GROUND	INPUT
3	U	OUTPUT
4	V	OUTPUT
5	W	OUTPUT

TARGET SPEED	SPEED SIGNAL
RPM	Hz
1200	40
1560	52
1920	64
2280	76
2640	88
3000	100
3360	112
3720	124
4040	136
4440	148
4800	160
6000	200
TARGET SPEED (RPM) = Hz x 30	
TARGET SPEED (RPM) = Ω x 0.6	

DWG NO.
DEMx0059



NOTE:
1. FUSE RECOMMENDED.
FUSE IS NOT SUPPLIED WITH CONTROLLER

ENGLISH
Q.A. SYMBOLS
★ = CATEGORY I
▲ = CATEGORY II
■ = CATEGORY III
□ = CATEGORY IV

MX - MESA

REL	EC81041	CHANGE	DATE	----
	<small>THIS DRAWING OR PRINT (1:1) IS THE PROPERTY OF MESA ELECTRONICS COMPANY. IT IS THE PROPERTY OF MESA ELECTRONICS COMPANY AND CONTAINS PROPRIETARY AND CONFIDENTIAL INFORMATION. IT IS NOT TO BE REPRODUCED, COPIED, OR DISCLOSED IN ANY MANNER WITHOUT THE WRITTEN CONSENT OF MESA ELECTRONICS COMPANY. ANY UNAUTHORIZED DISCLOSURE OR REPRODUCTION OF THIS DRAWING OR PRINT IS STRICTLY PROHIBITED AND WILL BE PROSECUTED TO THE FULL EXTENT OF THE LAW. THIS DRAWING IS THE PROPERTY OF MESA ELECTRONICS COMPANY AND IS NOT TO BE LOANED, REPRODUCED, COPIED, OR DISCLOSED IN ANY MANNER WITHOUT THE WRITTEN CONSENT OF MESA ELECTRONICS COMPANY. ANY UNAUTHORIZED DISCLOSURE OR REPRODUCTION OF THIS DRAWING OR PRINT IS STRICTLY PROHIBITED AND WILL BE PROSECUTED TO THE FULL EXTENT OF THE LAW.</small>			
DIS. CODE DESCRIPTION DRAWING, SALES, ELECTRICAL				
DWN	RDS	CK.	APR.	SCALE
12OCT17	ON FILE	ON FILE	1=1 & NOTED	THIS PRINT SUPERSEDES ALL PRINTS PRIOR TO
MATERIAL NOTED				DWG NO. DEMx0059