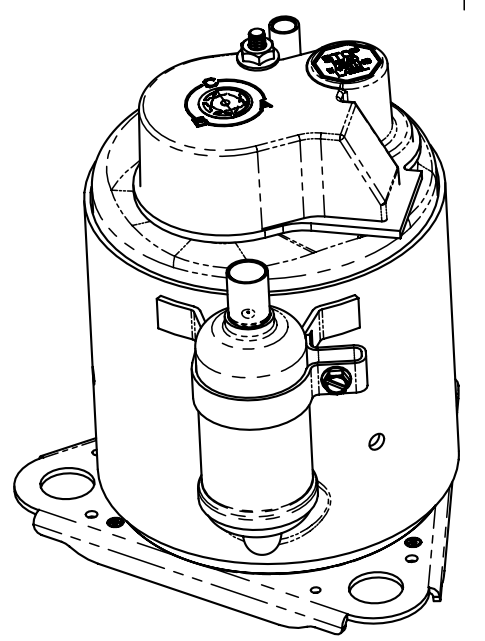
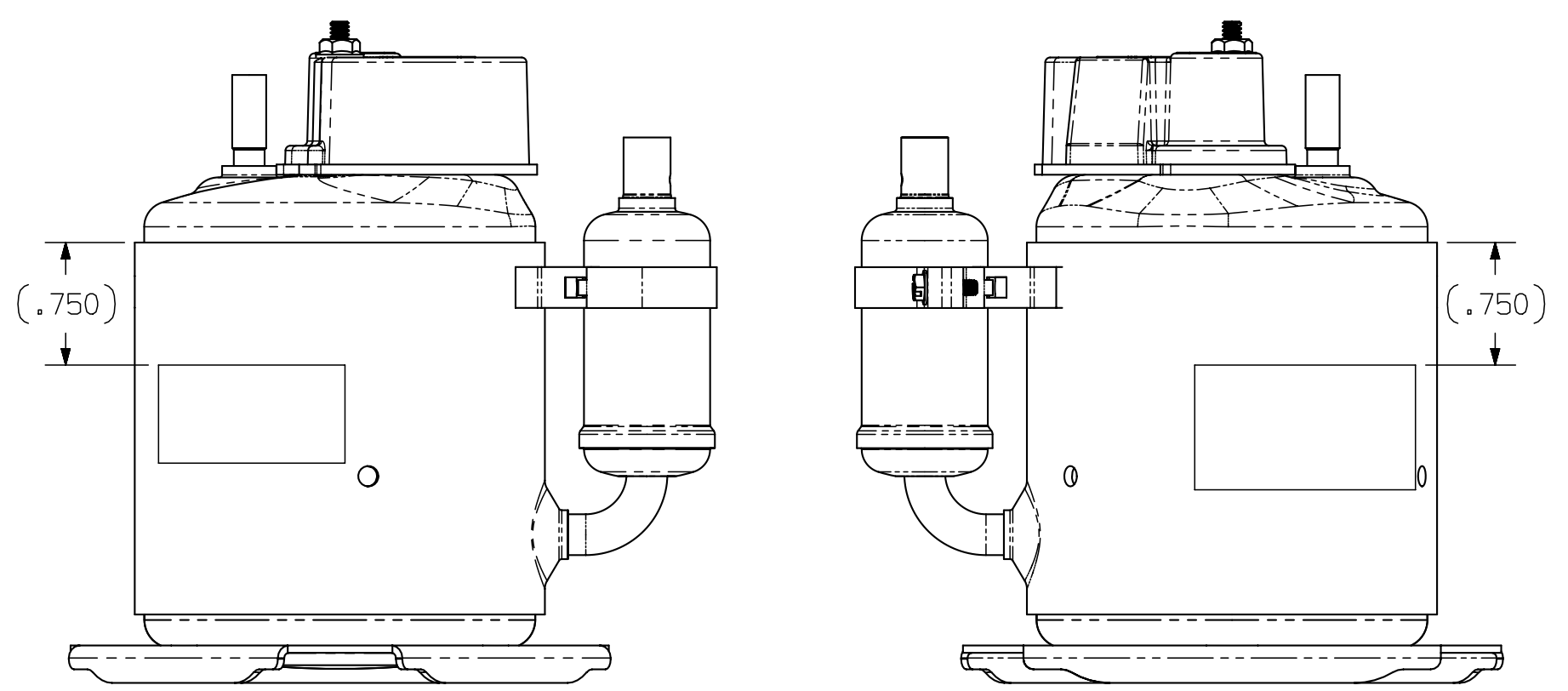
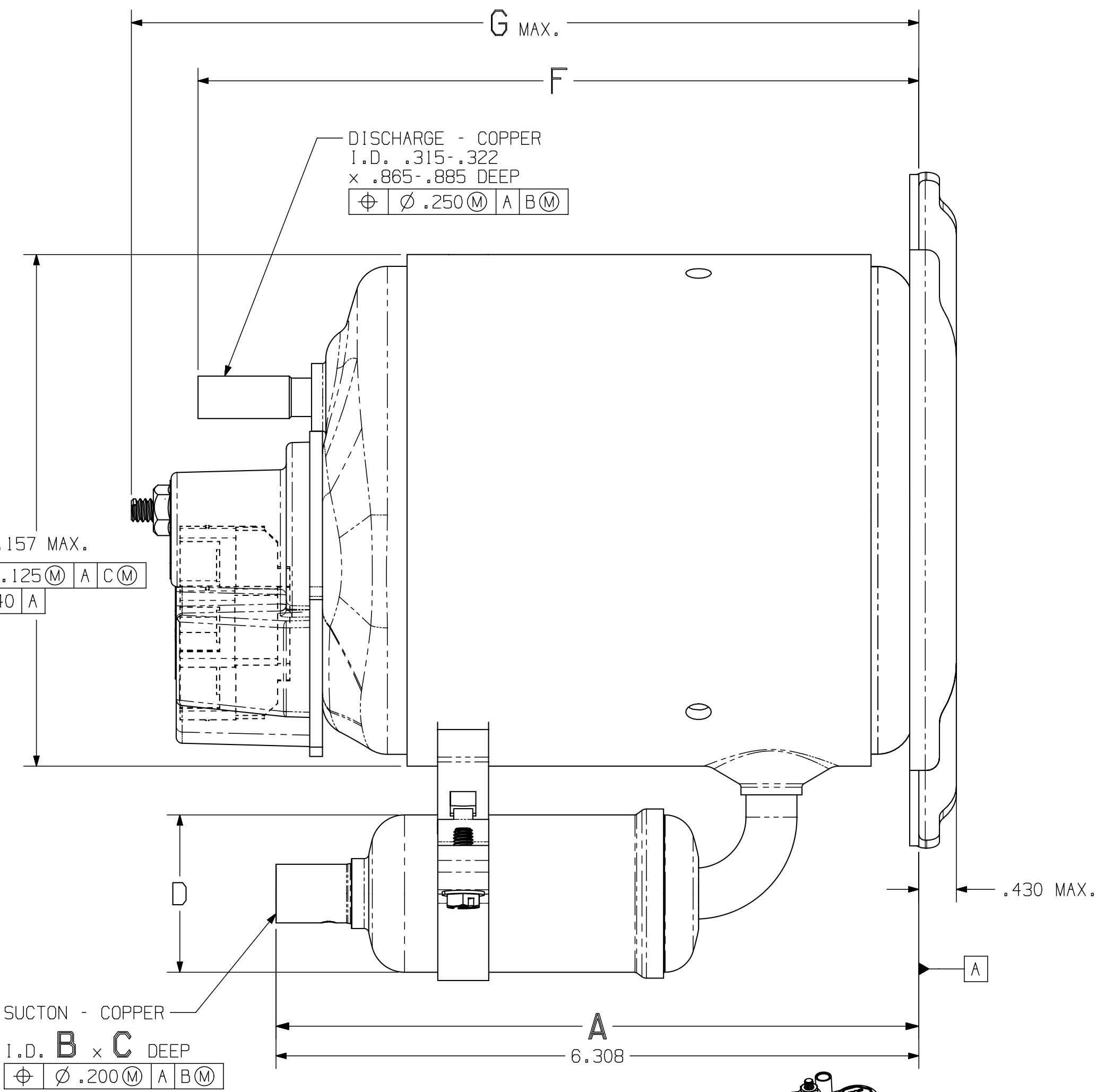
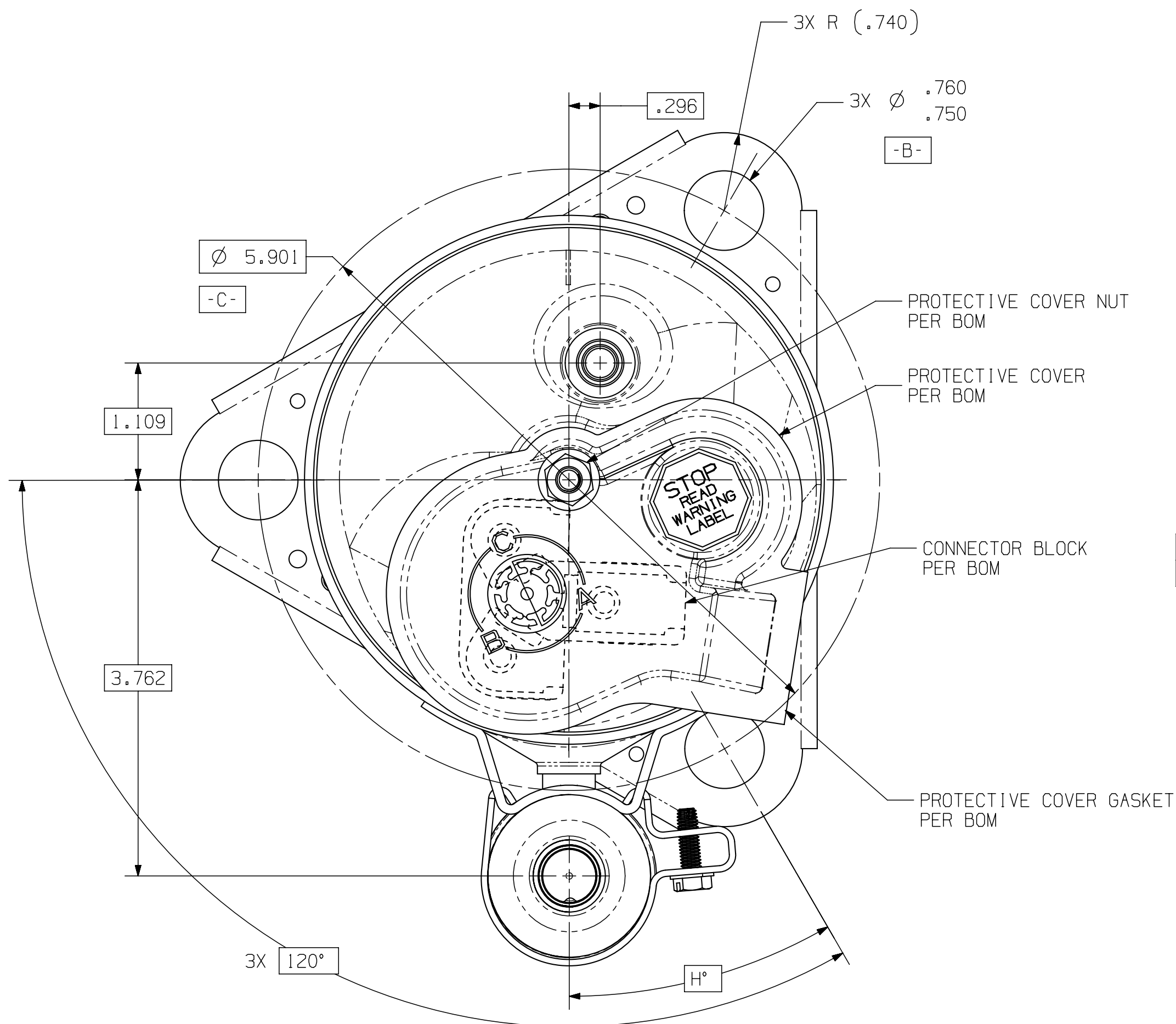


DRAWING NUMBER	COMPRESSOR MODEL	A	B	C	D	F	G	H
DCMX25-001	SIERRAXX-0716XX	6.254-6.454	.502-.509	.430 -.500	1.663 MAX.	6.961-7.149	7.750	30
DCMX25-002	SIERRAXX-0716XX	6.254-6.454	.502-.509	.430 -.500	1.663 MAX.	6.961-7.149	7.750	-27

DRAWING NO.
DCMX25 NO



ENGLISH

Q.A. SYMBOLS

- ★ = CATEGORY I
- ▲ = CATEGORY II
- = CATEGORY III
- = CATEGORY IV

MASTERFLUX - SIERRA

- NOTES:
- PROTECTIVE COVER, PROTECTIVE COVER GASKET AND PROTECTIVE COVER NUT ASSEMBLED IF CALLED FOR ON BILL OF MATERIAL.
 - MUST COMPLY WITH T.C.Co. GLOBAL SPEC 08.
 - TERMINAL COVER MOUNTING STUD THREADS MUST BE FREE OF PAINT.
 - TORQUE TERMINAL COVER NUT TO 15-20 IN.-LBS.

REV	DATE	DESCRIPTION	BY	CHKD	APP'D	SCALE	THIS PRINT SUPERSEDES ALL PRINTS PRIOR TO
C	02NOV15	RDS ADDED NOTE #3 & #4	EC65329			1:1 & NOTED	
B	21AUG14	RDS REVISED DESCRIPTIONS	EC60382				
A	17JUL14	RDS ADDED DCMX25-002	EC59845				
REL			EC55278				

DIS. CODE		NAME		SALES COMPRESSOR	
DWN.	RDS	CK.	APR.	SCALE	THIS PRINT SUPERSEDES ALL PRINTS PRIOR TO
31OCT13	ON FILE	ON FILE	1:1 & NOTED		
MATERIAL				DRAWING NO.	
NOTED				DCMX25 NO	