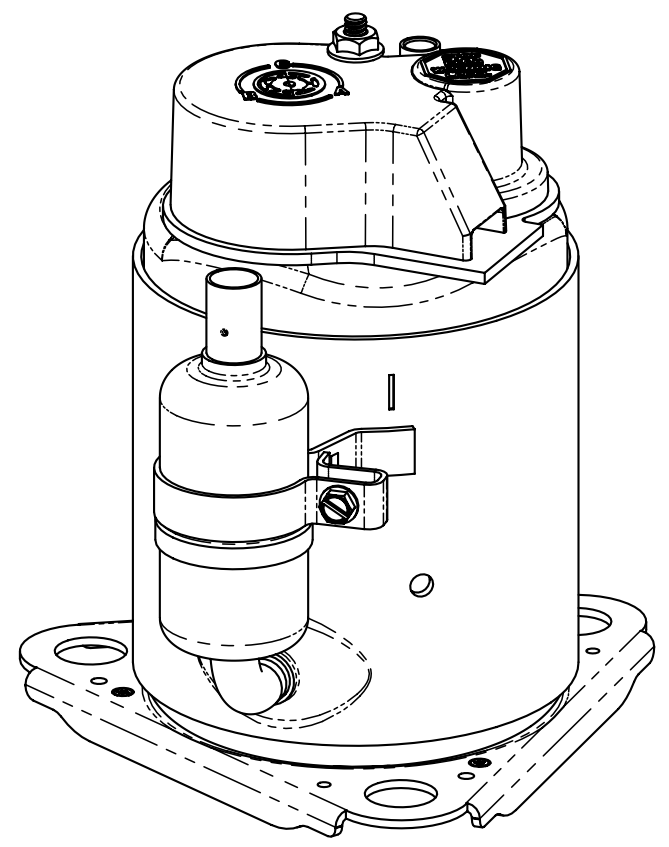
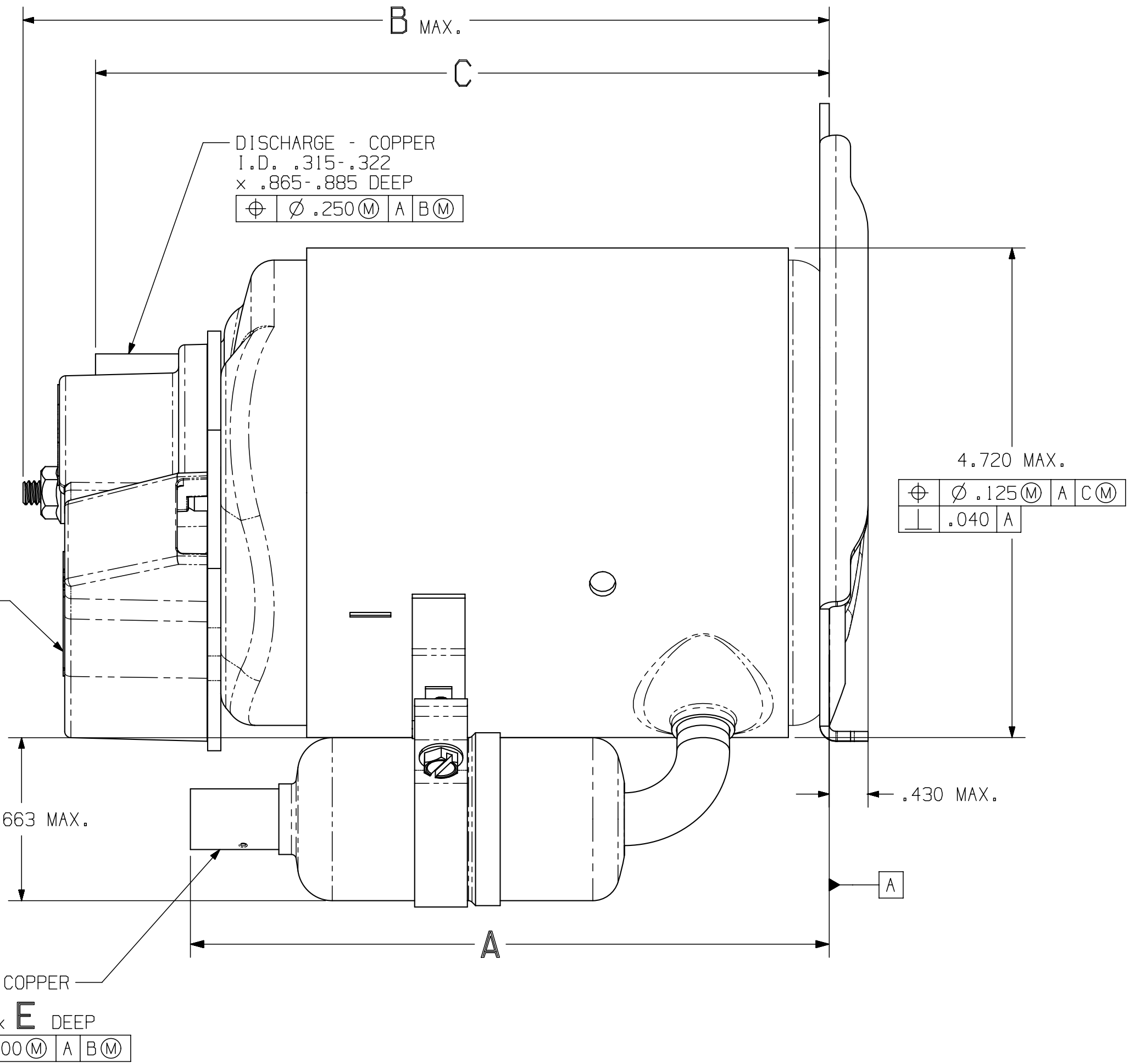
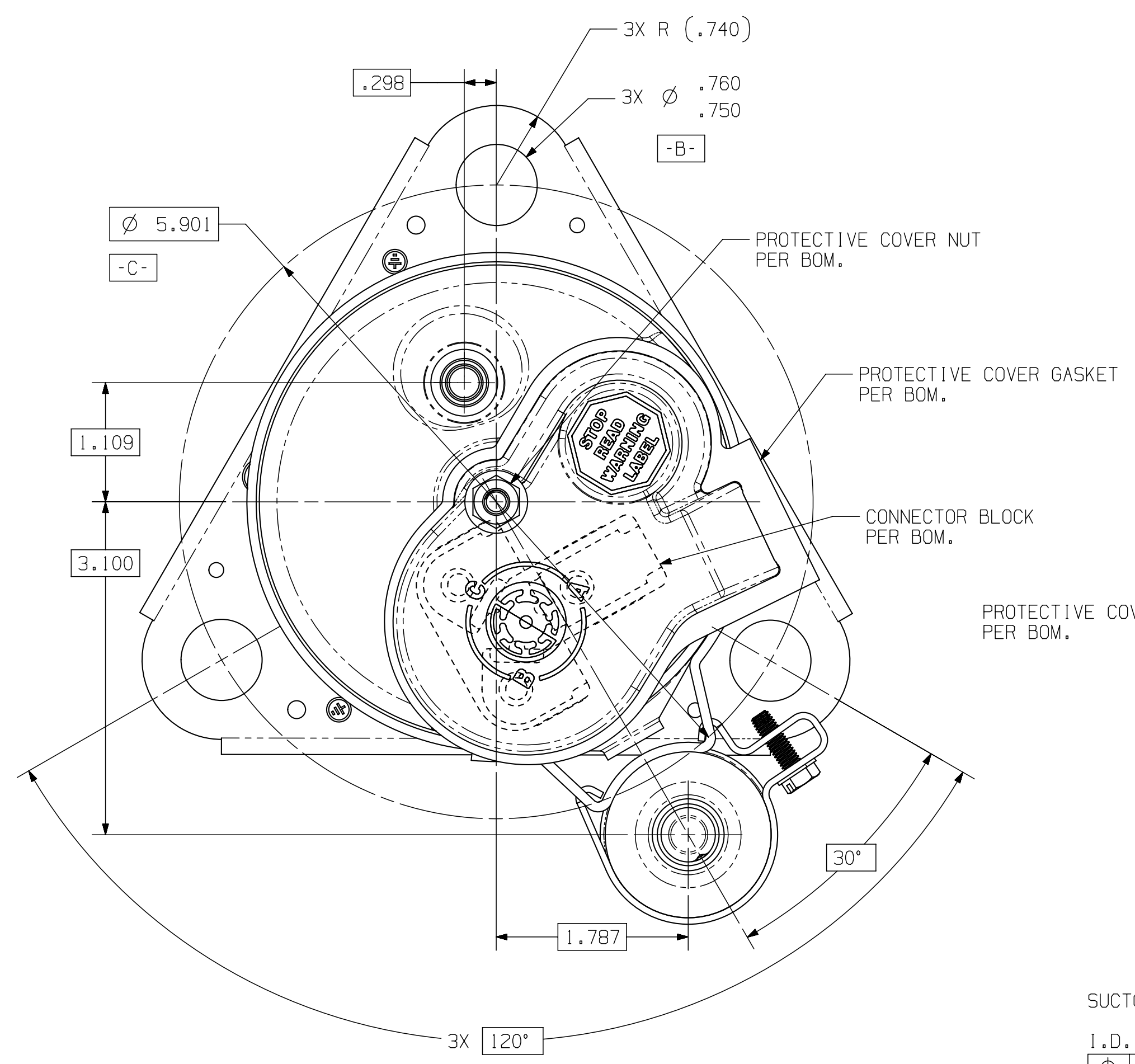


| DRAWING NUMBER | COMPRESSOR MODEL | A           | B     | C           | D         | E         |
|----------------|------------------|-------------|-------|-------------|-----------|-----------|
| DCMX33-001     | SIERRAXX-0434XX  | 5.856-6.256 | 6.749 | 5.775-6.175 | .377-.384 | .430-.500 |
| DCMX33-002     | SIERRAXX-0982XX  | 5.856-6.256 | 7.730 | 6.756-7.156 | .502-.509 | .430-.500 |

DRAWING NO.  
DCMX33 NO



- NOTES:
1. PROTECTIVE COVER GASKET, PROTECTIVE COVER AND PROTECTIVE COVER NUT ASSEMBLED, IF CALLED FOR ON BILL OF MATERIAL.
  2. MUST COMPLY WITH T.P.Co. GLOBAL SPEC. 08.
  3. TERMINAL COVER MOUNTING STUD THREADS MUST BE FREE OF PAINT.
  4. TORQUE PROTECTIVE COVER NUT TO 15-20 IN-LBF.

ENGLISH

Q.A. SYMBOLS

- ★ = CATEGORY I
- ▲ = CATEGORY II
- = CATEGORY III
- = CATEGORY IV

MASTERFLUX - SIERRA

|   |  |                |  |  |  |                |  |      |  |                          |  |                          |  |                |  |                 |  |                      |  |   |  |
|---|--|----------------|--|--|--|----------------|--|------|--|--------------------------|--|--------------------------|--|----------------|--|-----------------|--|----------------------|--|---|--|
| EC70089<br>ADDED<br>02FEB16<br>DCMX33-001 |  | RDS<br>02FEB16 |  | EC65329<br>ADDED<br>NOTE #3<br>02NOV15 |  | RDS<br>02NOV15 |  | DATE |  | NAME<br>SALES COMPRESSOR |  | DWN.<br>RDS<br>16JAN15   |  | CK.<br>ON FILE |  | APR.<br>ON FILE |  | SCALE<br>1:1 & NOTED |  | THIS PRINT SUPERSEDES ALL PRINTS PRIOR TO |  |
| B   |  | A              |  | REL                                    |  | EC63137        |  | LT   |  | MATERIAL<br>NOTED        |  | DRAWING NO.<br>DCMX33 NO |  |                |  |                 |  |                      |  |   |  |

DO NOT SCALE THIS DRAWING ALL FERROUS MATERIALS MUST BE MAGNETIZED AS RECEIVED OR AT COMPRESSOR ASSEMBLY.

THIS DRAWING OR PRINT (1) IS THE PROPERTY OF MASTERFLUX AND CONTAINS INFORMATION BELONGING TO MASTERFLUX. IT IS TO BE KEPT IN CONFIDENCE AND NOT TO BE REPRODUCED OR DISCLOSED TO OTHERS WITHOUT THE EXPRESS AND WRITTEN CONSENT OF MASTERFLUX. SPECIFIC INFORMATION IS IDENTIFIED BY CATEGORY AND NOT OTHERWISE. CATEGORY I INFORMATION IS TO BE KEPT IN CONFIDENCE AND NOT DISCLOSED TO OTHERS WITHOUT THE EXPRESS AND WRITTEN CONSENT OF MASTERFLUX. CATEGORY II INFORMATION IS TO BE KEPT IN CONFIDENCE AND NOT DISCLOSED TO OTHERS WITHOUT THE EXPRESS AND WRITTEN CONSENT OF MASTERFLUX. CATEGORY III INFORMATION IS TO BE KEPT IN CONFIDENCE AND NOT DISCLOSED TO OTHERS WITHOUT THE EXPRESS AND WRITTEN CONSENT OF MASTERFLUX. CATEGORY IV INFORMATION IS TO BE KEPT IN CONFIDENCE AND NOT DISCLOSED TO OTHERS WITHOUT THE EXPRESS AND WRITTEN CONSENT OF MASTERFLUX.