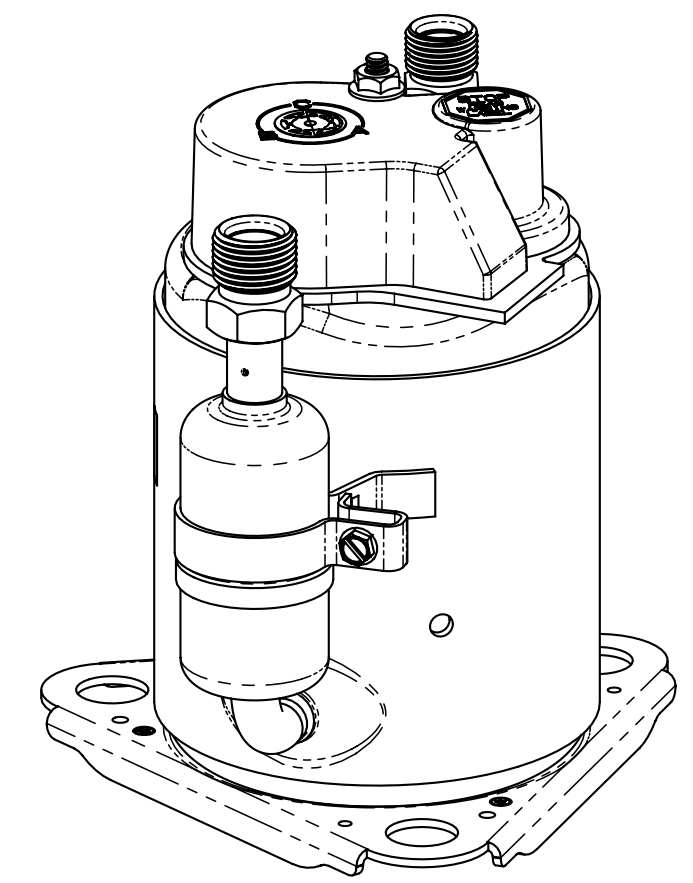
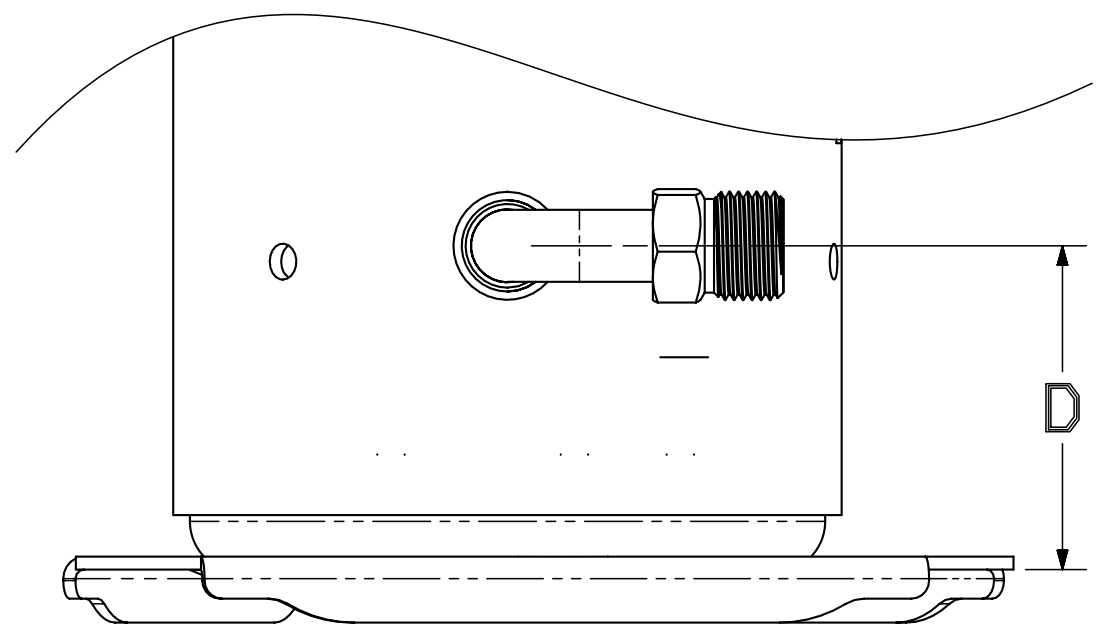
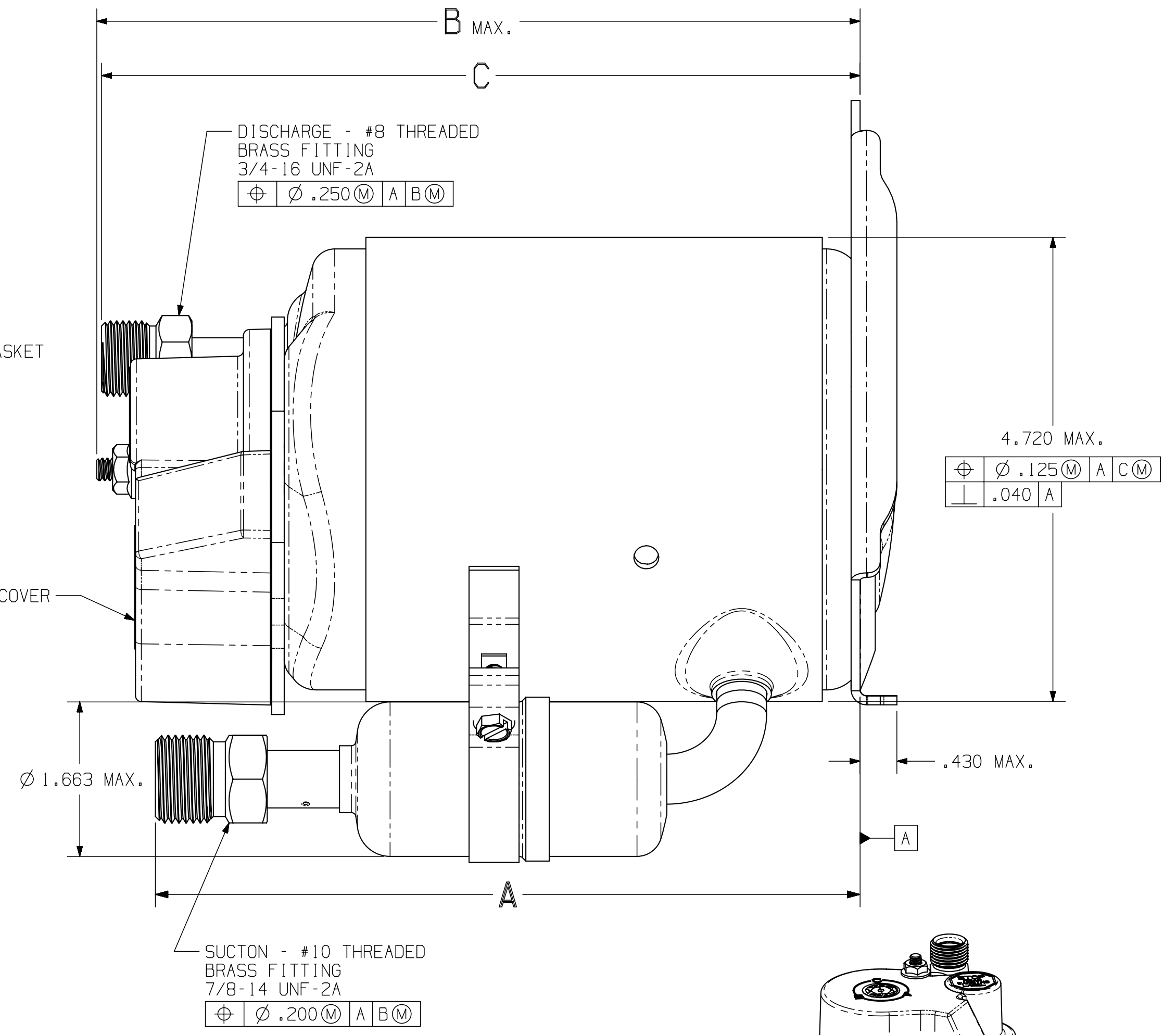
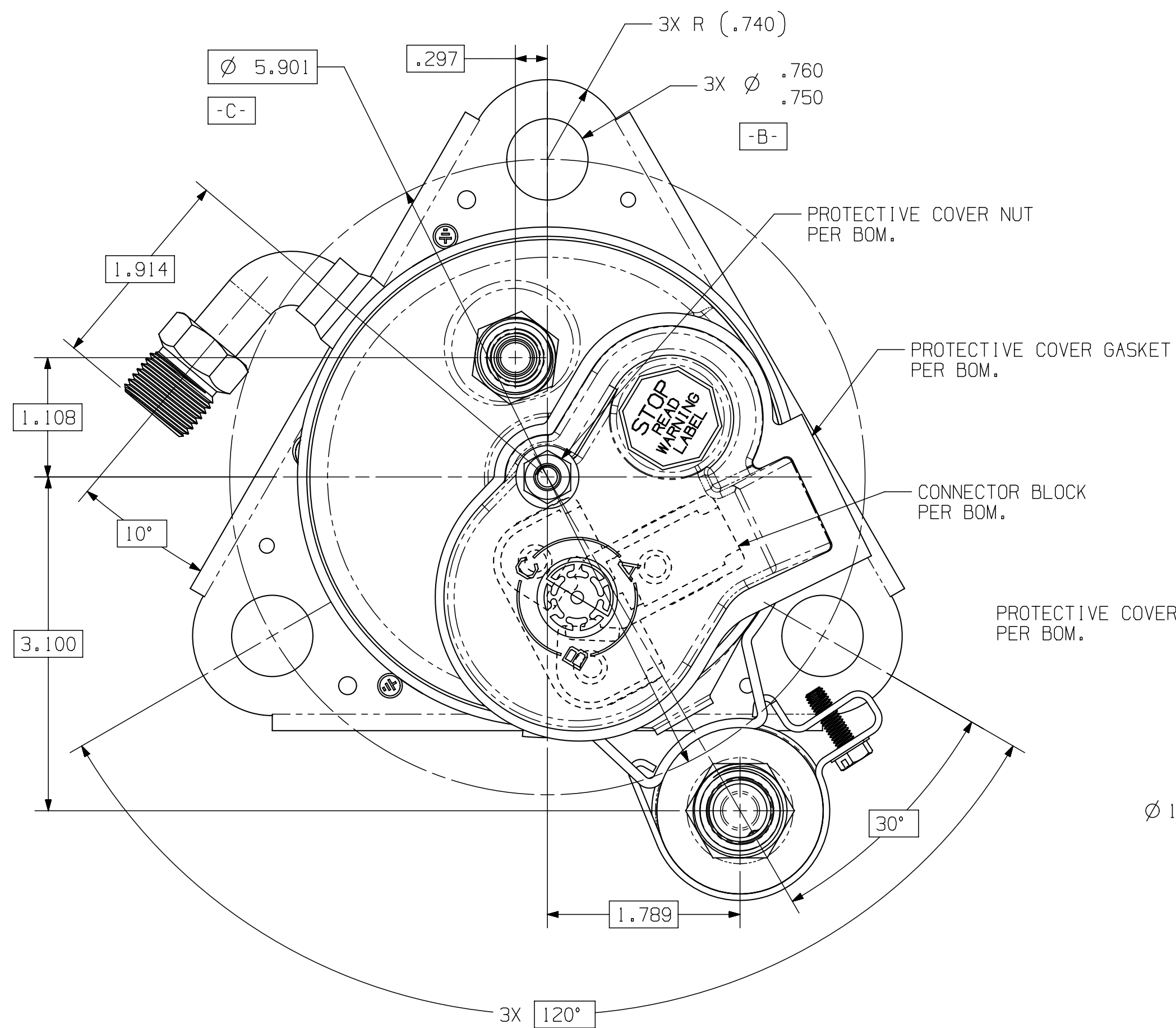


DRAWING NUMBER	COMPRESSOR MODEL	A	B	C	D
DCMX34-001	SIERRAXX-0434XX	6.850-7.250	6.749	6.324-6.724	1.747-2.147
DCMX34-002	SIERRAXX-0982XX	6.850-7.250	7.730	7.389-7.789	2.048-2.448

DRAWING NO.
DCMX34 NO



- NOTES:
1. PROTECTIVE COVER GASKET, PROTECTIVE COVER, AND PROTECTIVE COVER NUT ASSEMBLED IF CALLED FOR ON BILL OF MATERIAL.
 - ▲ 2. MUST COMPLY WITH T.C.Co. GLOBAL SPEC 08.
 3. TERMINAL COVER MOUNTING STUD THREADS MUST BE FREE OF PAINT.
 4. TORQUE TERMINAL COVER NUT TO 15-20 IN-LBS.

ENGLISH

Q.A. SYMBOLS

- ★ = CATEGORY I
- ▲ = CATEGORY II
- = CATEGORY III
- = CATEGORY IV

MASTERFLUX - SIERRA

LT	LC	CHANGE	DATE	BY	REASON	DWG. NO.	NAME	SCALE	THIS PRINT SUPERSEDES ALL PRINTS PRIOR TO
						RDS 30JAN17	SALES COMPRESSOR	1:1 & NOTED	
						EC76425 ADDED 30JAN17			
						EC65329 ADDED 02NOV15			
						NOTE #3 & #4			
						REL EC63137			

THIS DRAWING OR PRINT (1) IS THE PROPERTY OF MASTERFLUX AND CONTAINS INFORMATION BELONGING TO MASTERFLUX. IT IS TO BE KEPT IN CONFIDENTIALITY AND NOT TO BE REPRODUCED OR DISCLOSED TO ANY OTHERS WITHOUT THE EXPRESS AND WRITTEN CONSENT OF MASTERFLUX. SPECIFIC CONDITIONS OF OPERATION SHALL BE AS SPECIFIED IN THE DRAWING AND NOT OTHERWISE. NO USE OF OR DATA LOCATED IN ANY MASTERFLUX PRIOR EXPRESS AND WRITTEN CONSENT OF MASTERFLUX SHALL BE RELIED UPON BY THE RECIPIENT WITHOUT THE EXPRESS WRITTEN CONSENT OF MASTERFLUX. SUCH REQUEST IS MADE.

DO NOT SCALE THIS DRAWING. ALL FERROUS MATERIALS MUST BE MAGNETIZED AS RECEIVED OR AT COMPRESSOR ASSEMBLY.

NAME: SALES COMPRESSOR

DWN. RDS 19JAN15

CK. ON FILE

APR. ON FILE

SCALE: 1:1 & NOTED

MATERIAL: NOTED

DRAWING NO.: DCMX34 NO