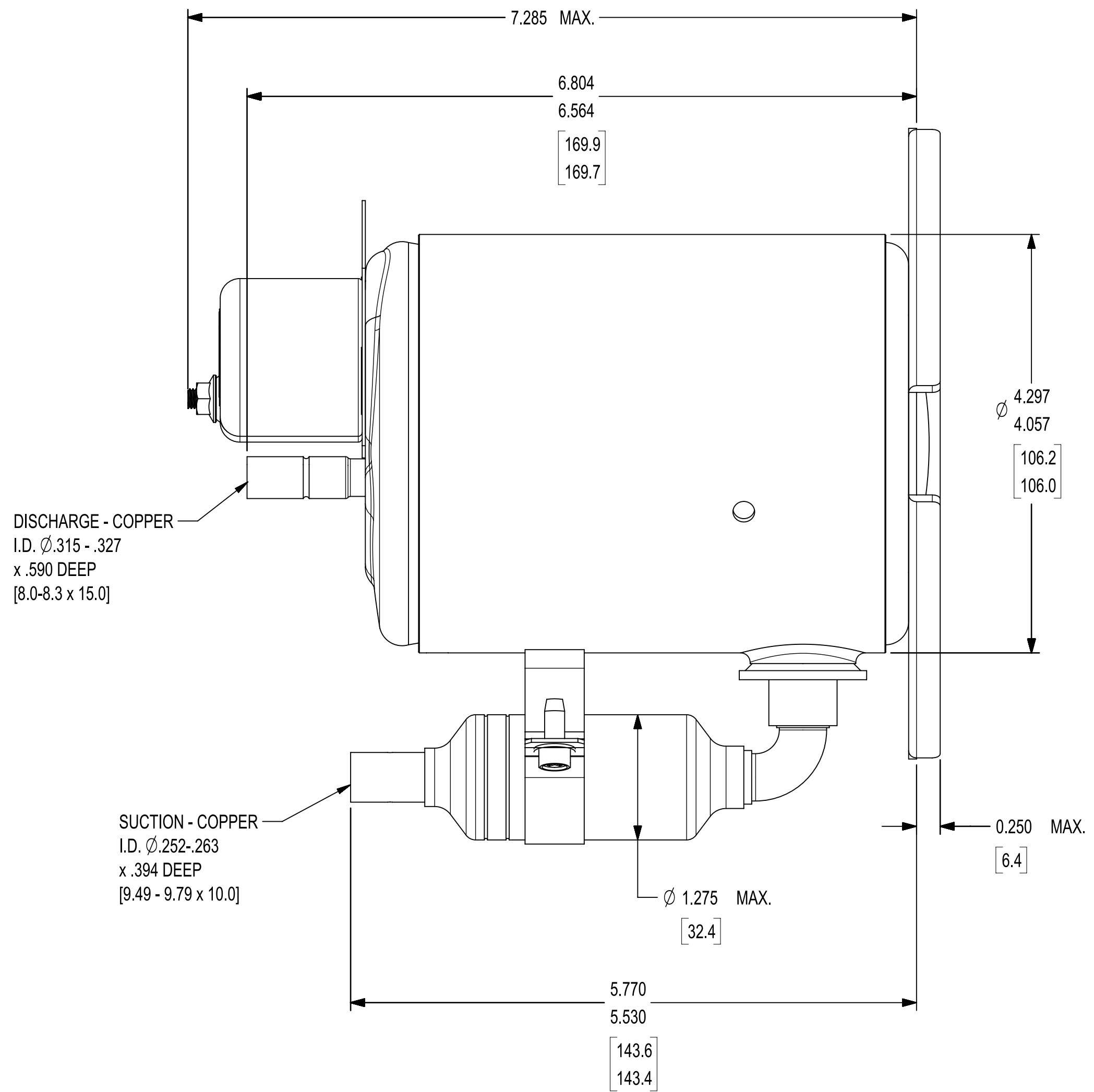
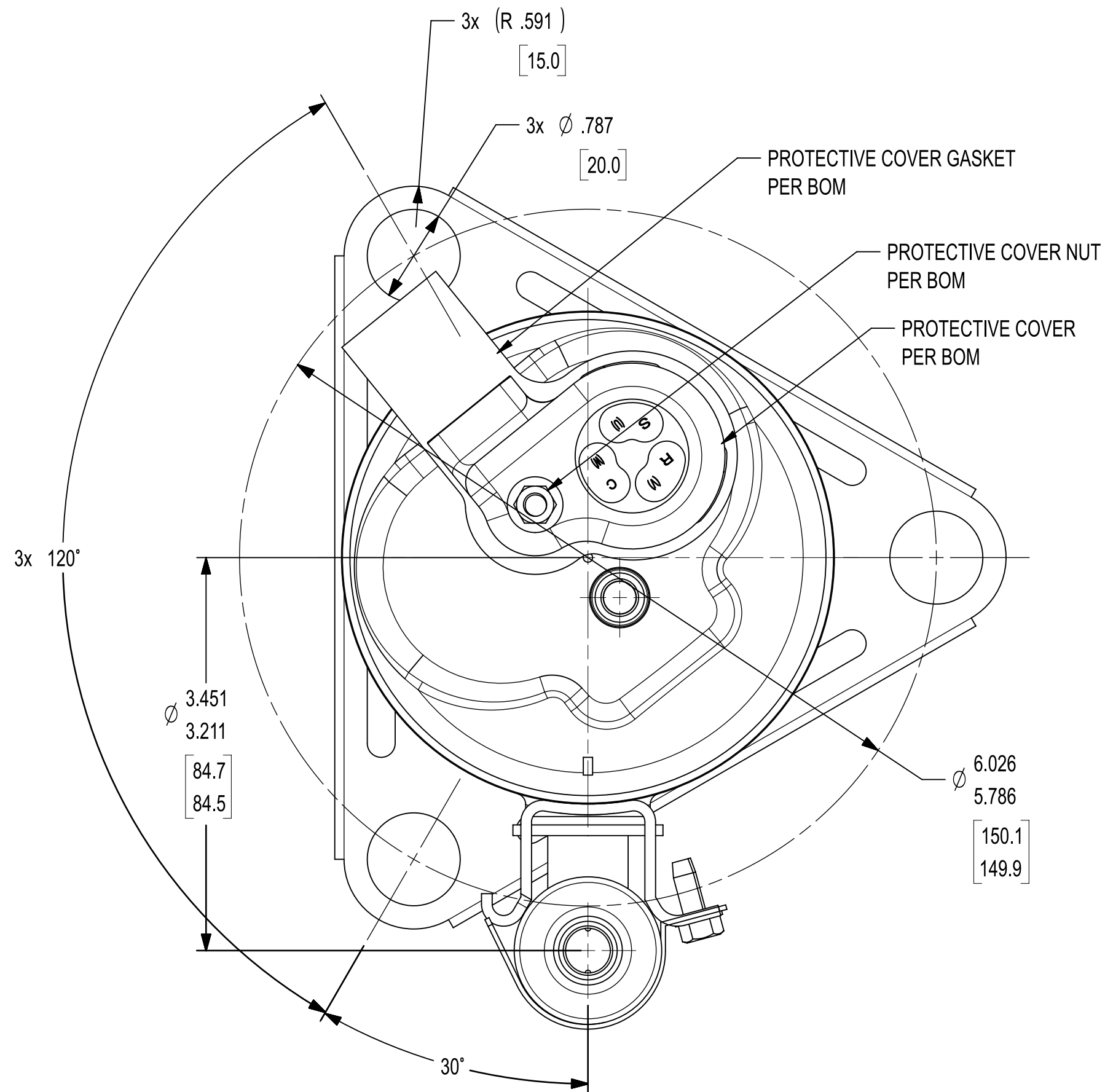


DRAWING NUMBER	COMPRESSOR MODEL
DCMX45	ATLASXX-0444YX

DWG NO.  
**DCMX45**



**NOTE:**

1. PROTECTIVE COVER, PROTECTIVE COVER GASKET AND PROTECTIVE COVER NUT, ASSEMBLED IF CALLED FOR ON THE BILL OF MATERIALS.
2. TORQUE PROTECTIVE COVER NUT TO 8.7-17.5 IN-LBS [10-20 KGF-CM].

ENGLISH

Q.A. SYMBOLS

- ★ = CATEGORY I
- ▲ = CATEGORY II
- = CATEGORY III
- = CATEGORY IV

MX - ATLAS

RDS UPDATED MODEL NUMBER ECB3127 26FEB18		DATE --- --- ---		THIS DRAWING OR PRINT (1:1) IS THE PROPERTY OF MASTERFLUX AND CONTAINS PROPRIETARY AND CONFIDENTIAL INFORMATION. IT IS TO BE KEPT IN CONFIDENTIALITY AND IS NOT TO BE REPRODUCED, COPIED, OR TRANSMITTED IN ANY MANNER WITHOUT THE WRITTEN CONSENT OF MASTERFLUX. ANY UNAUTHORIZED USE OR DISCLOSURE OF THIS INFORMATION SHALL BE AT THE USER'S SOLE RISK AND WITHOUT LIABILITY TO MASTERFLUX. THIS DRAWING IS THE PROPERTY OF MASTERFLUX AND IS NOT TO BE REPRODUCED, COPIED, OR TRANSMITTED IN ANY MANNER WITHOUT THE WRITTEN CONSENT OF MASTERFLUX. ANY UNAUTHORIZED USE OR DISCLOSURE OF THIS INFORMATION SHALL BE AT THE USER'S SOLE RISK AND WITHOUT LIABILITY TO MASTERFLUX.		DWS CODE RDS 26SEP17		DESCRIPTION <b>SALES COMPRESSOR</b>		THIS PRINT SUPERSEDES ALL PRINTS PRIOR TO	
REL EC80636		CHANGE --- --- ---		MATERIAL NOTED		SCALE 1=1 & NOTED		DWG NO. <b>DCMX45</b>		MX - ATLAS	