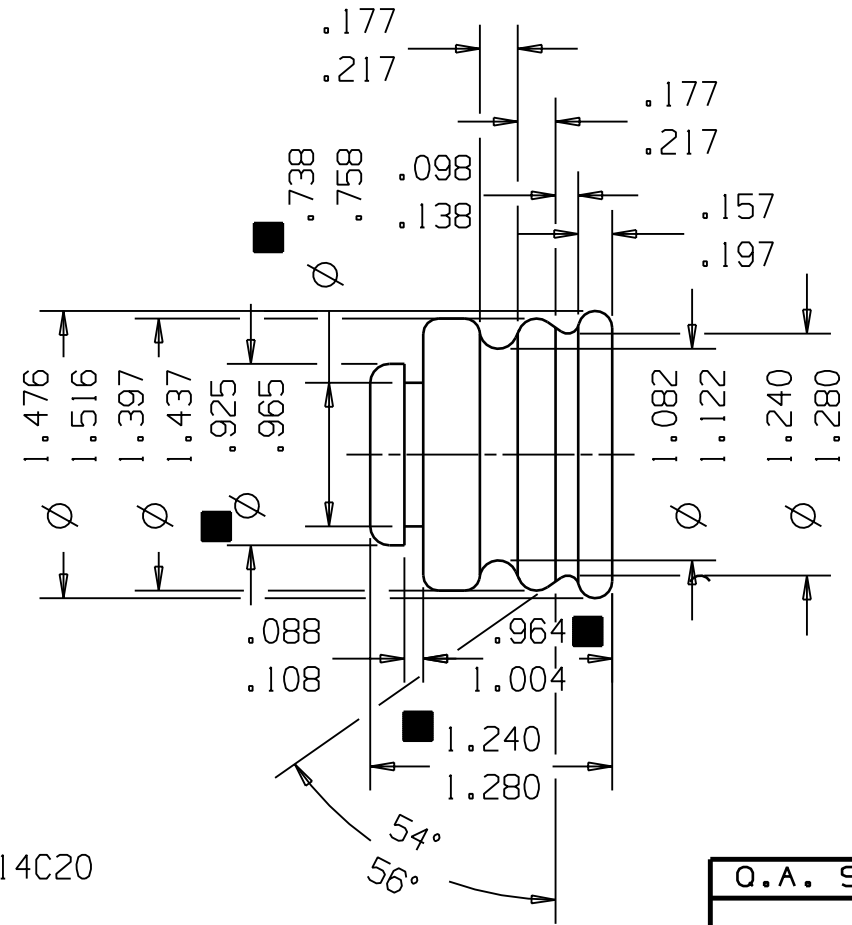
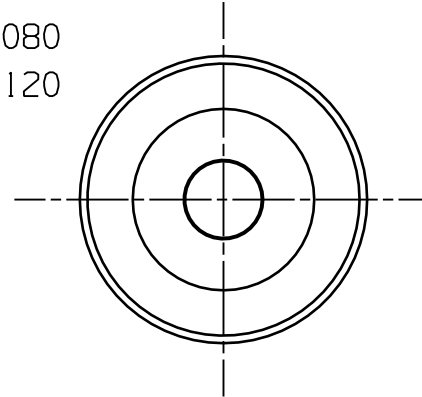
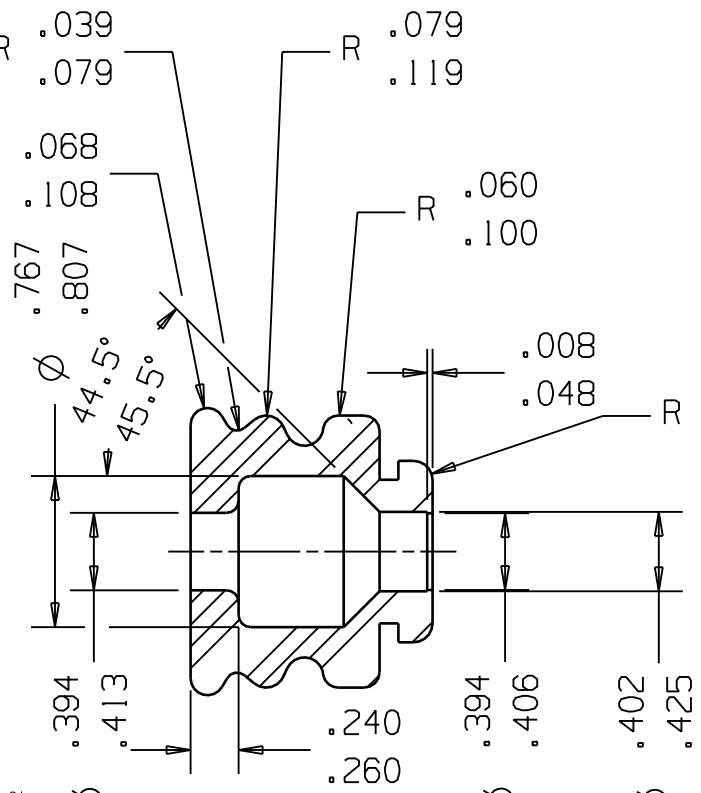


PART NO.  
70941



1. MATERIAL - A.S.T.M. D2000-S.A.E. J200 ■ 2BC415A14B14C20 (NEOPRENE) OR ■ 3BA415A14B13C12F17 (E.P.D.M.) PER T.P. Co. SPEC. H-110.
2. COLOR - BLACK, ■ DUROMETER-37±3.
3. DUROMETER IS TO BE DETERMINED BY CHECKING BUTTONS PROVIDED BY THE VENDOR FROM THE PRODUCTION RUN OF GROMMETS.

PROJ. #1939 "RK & RG"

O.A. SYMBOLS

User: rsnyder Part/Rev: rk-70941\_e-0.prt Date: 18-Jul-05 Time: 15:12

A	4	3	2	1	GROMMET				PART NO. 70941	
	4A	D	DIS. CODE	NAME	DWN. N. CLARK 1-31-95	CK.	APR.	SCALE 1" = 1"		THIS PRINT SUPERSEDES ALL PRINTS PRIOR TO
	E	D	TECUMSEH PRODUCTS CO. TECUMSEH, MICHIGAN		MATERIAL NOTED			PART NO. 70941		
	LT	LC	INTERNAL USE ONLY UG11D1SK5:1 CLARK IRK-70941_D-A.PRT							

THIS DRAWING OR PRINT (1) IS THE PROPERTY OF TECUMSEH PRODUCTS COMPANY AND CONTAINS PROPRIETARY AND CONFIDENTIAL INFORMATION BELONGING TO TECUMSEH. (1) IS MADE AVAILABLE TO THE RECIPIENT ON THE EXPRESS AND SPECIFIC CONDITION THAT NEITHER IT NOR THE INFORMATION CONTAINED THEREON OR DISCLOSED THEREIN SHALL BE DISCLOSED OR MADE AVAILABLE TO OTHERS WITHOUT THE EXPRESS AND SPECIFIC WRITTEN CONSENT OF TECUMSEH AND THAT SUCH INFORMATION ONLY AS EXPRESSLY AND SPECIFICALLY APPROVED IN WRITING BY TECUMSEH AND NOT OTHERWISE. (1) SHALL NOT BE COPIED OR DUPLICATED IN ANY MANNER OR TO ANY EXTENT WITHOUT TECUMSEH'S PRIOR EXPRESS AND SPECIFIC WRITTEN CONSENT. (1) SHALL BE RETURNED TO TECUMSEH BY THE RECIPIENT THEREOF PROMPTLY AFTER SUCH REQUEST IS MADE.

DO NOT SCALE THIS DRAWING ALL FERROUS MATERIALS MUST NOT BE MAGNETIZED AS RECEIVED OR AT COMPRESSOR ASSEMBLY.

C

C

B

B

A

A

4

3

2

1