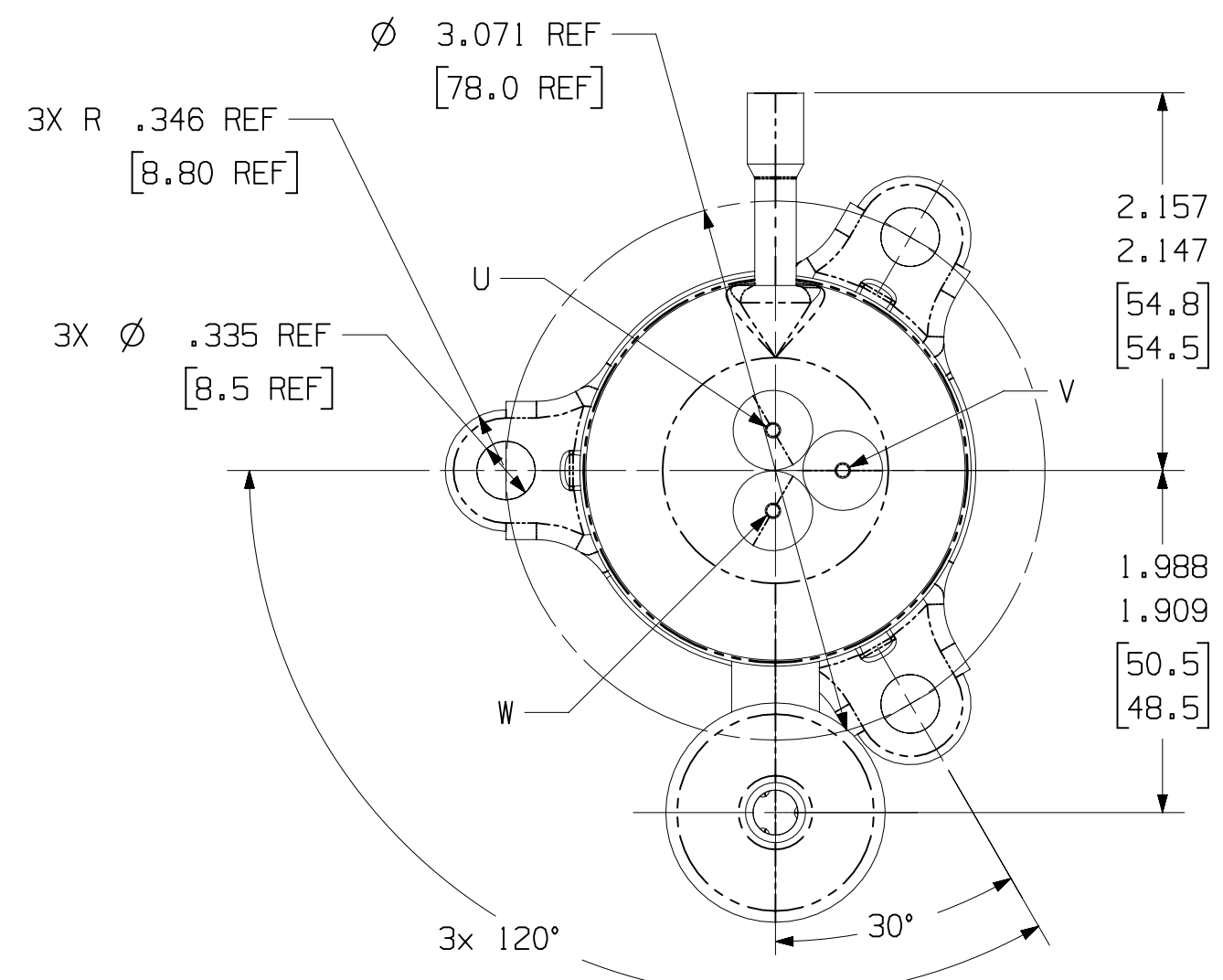


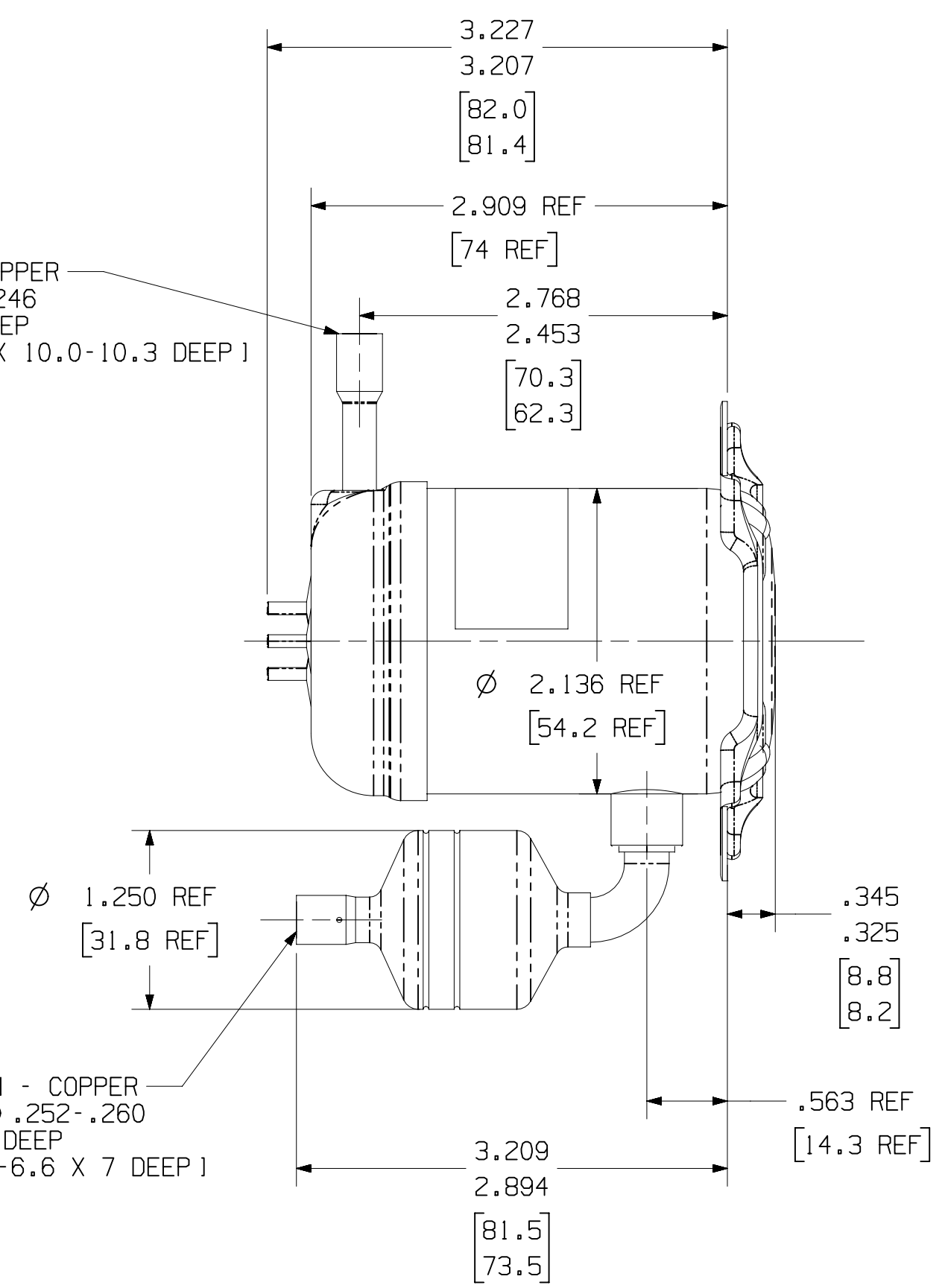
**DRAWING NUMBER COMPRESSOR MODEL**

DCMX57 MESAXX-0085Y3  
 DCMX57 MESAXX-0122Y3

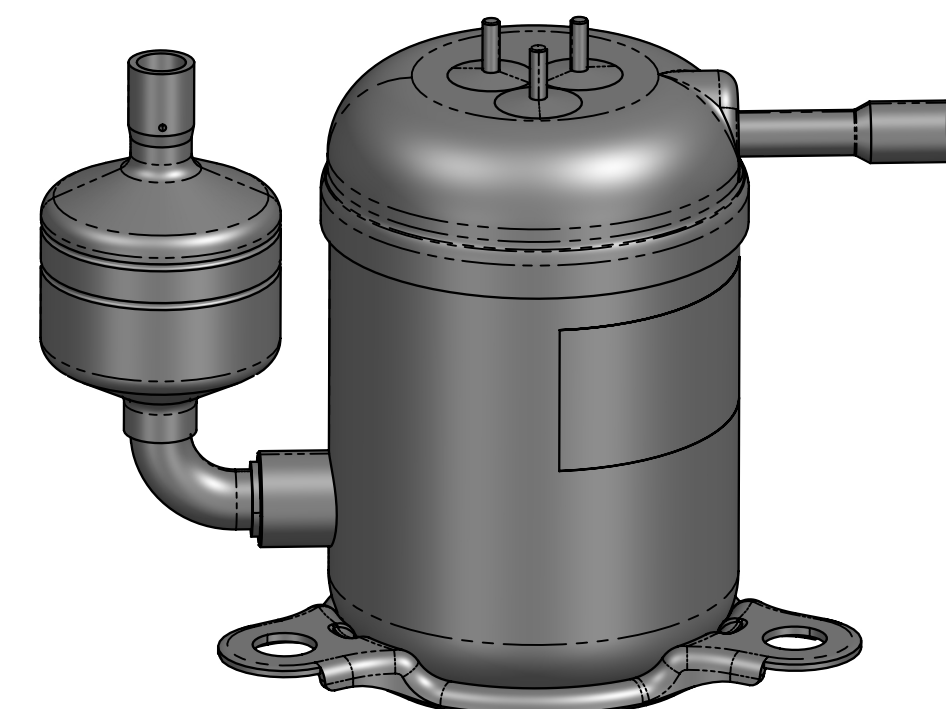
DWG NO.  
 DCMX57



DISCHARGE - COPPER  
 I.D. Ø .238-.246  
 X .390-.398 DEEP  
 ( Ø 6.05-6.25 X 10.0-10.3 DEEP )



SUCTION - COPPER  
 I.D. Ø .252-.260  
 X .276 DEEP  
 ( Ø 6.4-6.6 X 7 DEEP )



SCALE 1:1

- NOTES:
1. DIMENSIONS: INCHES [ mm ]
  - ▲ 2. MUST COMPLY WITH T.C.Co. GLOBAL SPEC 08.

3D, VNX1980  
 ENGLISH

Q.A. SYMBOLS

- ★ = CATEGORY I
- ▲ = CATEGORY II
- = CATEGORY III
- = CATEGORY IV

MASTERFLUX - MESA

TS EC105968 ADDED COMP MOD MESAXX-0122Y3 08JUL22		DATE ---		DESCRIPTION SALES COMPRESSOR - MESA		DWN. RSNYDER 12JUL21		CK. ON FILE		APR. ON FILE		SCALE 1=1 & NOTED		THIS PRINT SUPERSEDES ALL PRINTS PRIOR TO	
REL EC10173B		CHANGE ---		MATERIAL NOTED		DWG NO. DCMX57		MESA		NOTED		DCMX57		DCMX57	