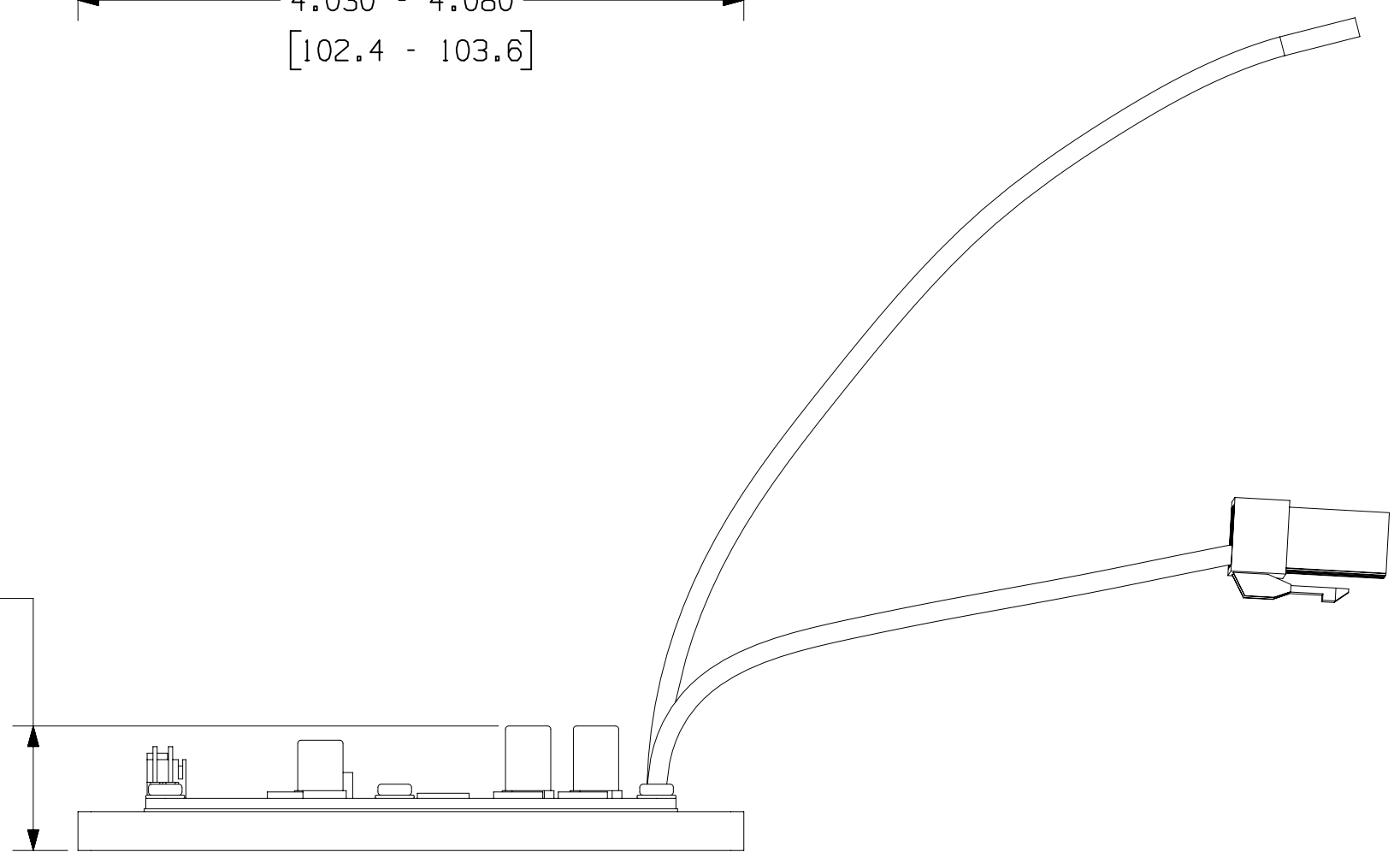
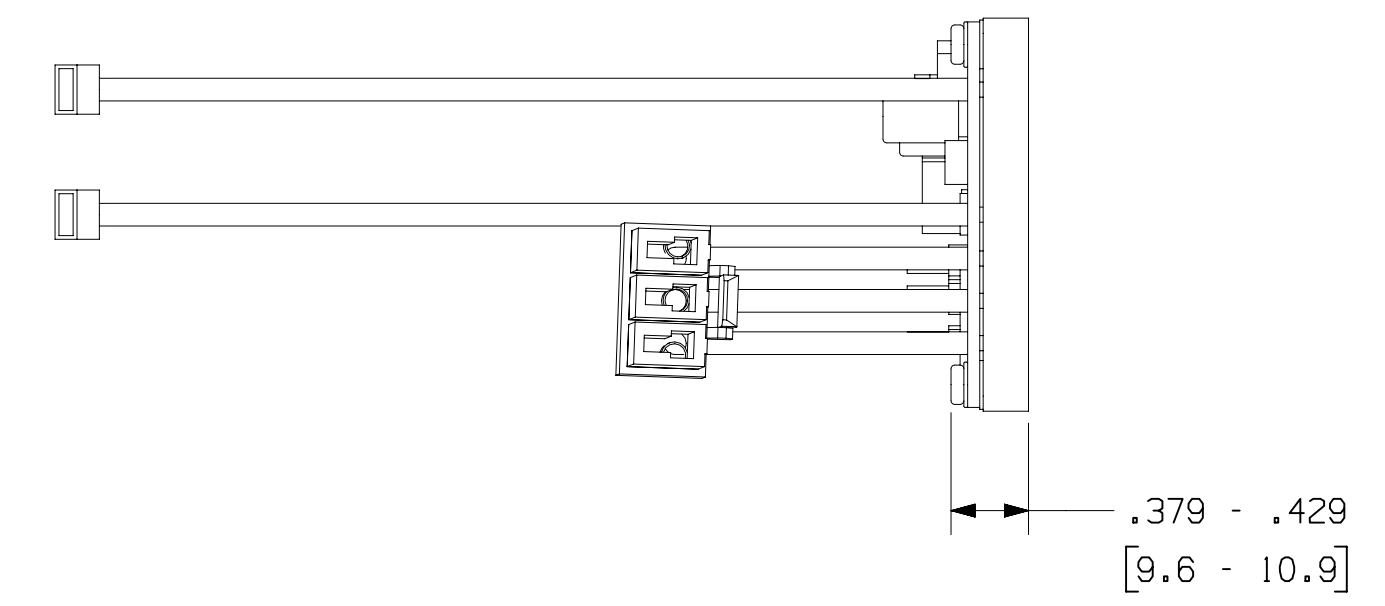
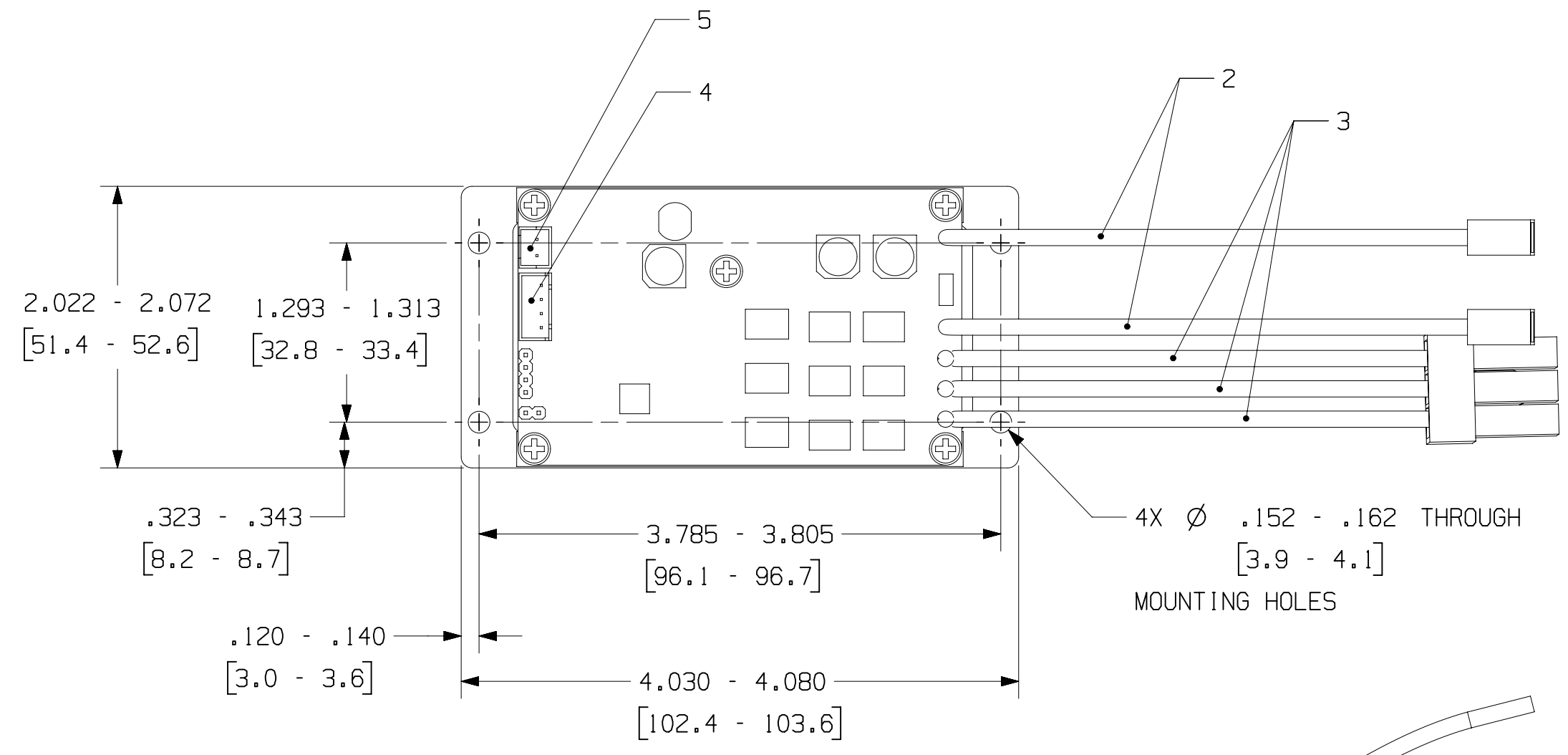
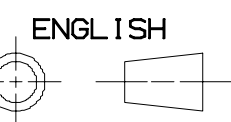


SCALE 1:2



5	PWM COMMUNICATION CONNECTOR	CN6	XH-2A	YUEQING JILADE ELECTRONICS CO. LTD. FOSHAN HONGCHENG ELECTRIC CO. LTD.
4	SERIAL COMMUNICATION CONNECTOR	CN3	HW2502J-BD-4A A2507(XHD)-4AD	YUEQING JILADE ELECTRONIC CO. LTD. ZHEJIANG LIANHE ELECTRONICS CO. LTD.
3	COMPRESSOR CONNECTION WIRING	CN7-CN8-CN9	VLP-03VK	YUEQING JILADE ELECTRONIC CO. LTD.
2	DC POWER INPUT WIRING	CN1-CN2	ST731394-3M14	YUEQING JILADE ELECTRONIC CO. LTD.
1	COMPRESSOR HARNESS	INVERTER INTERFACE	VLR-03VK	YUEQING JILADE ELECTRONIC CO. LTD.
		COMPRESSOR INTERFACE	HX-SCS-3F	ZHEJIANG LIANHE ELECTRONICS CO. LTD.
NO.	NAME	CODE	MODEL	MANUFACTURER

3D, VNX10



Q. A. SYMBOLS

- ★ = CATEGORY I
- ▲ = CATEGORY II
- = CATEGORY III
- = CATEGORY IV

MX-MESA

REL	EC102861	DATE	DRAWING, SALES, CONTROLLER, MECHANICAL, MESA, 24V, PWM				DIS. CODE	-	NAME	DRAWING, SALES, CONTROLLER, MECHANICAL, MESA, 24V, PWM					
L.T	LC	CHANGE	THIS DRAWING OR PRINT IS THE PROPERTY OF TECUMSEH AND CONTAINS PROPRIETARY AND CONFIDENTIAL INFORMATION. IT IS MADE AVAILABLE TO THE CUSTOMER UNDER THE SPECIFIC CONDITIONS OF THE PURCHASE ORDER. ANY REUSE, REPRODUCTION, OR DISSEMINATION OF THIS DRAWING OR PRINT WITHOUT THE WRITTEN CONSENT OF TECUMSEH IS STRICTLY PROHIBITED. ANY SUCH REQUEST IS MADE TO THE CUSTOMER'S REPRESENTATIVE.				DWN.	SIMRAN	CK.	ON FILE	APR.	ON FILE	SCALE	1:1 & NOTED	THIS PRINT SUPERSEDES ALL PRINTS PRIOR TO
TECUMSEH PRODUCTS CO.													DRAWING NO.		
ANN ARBOR, MICHIGAN													DGMX0101		
MATERIAL													NOTED		