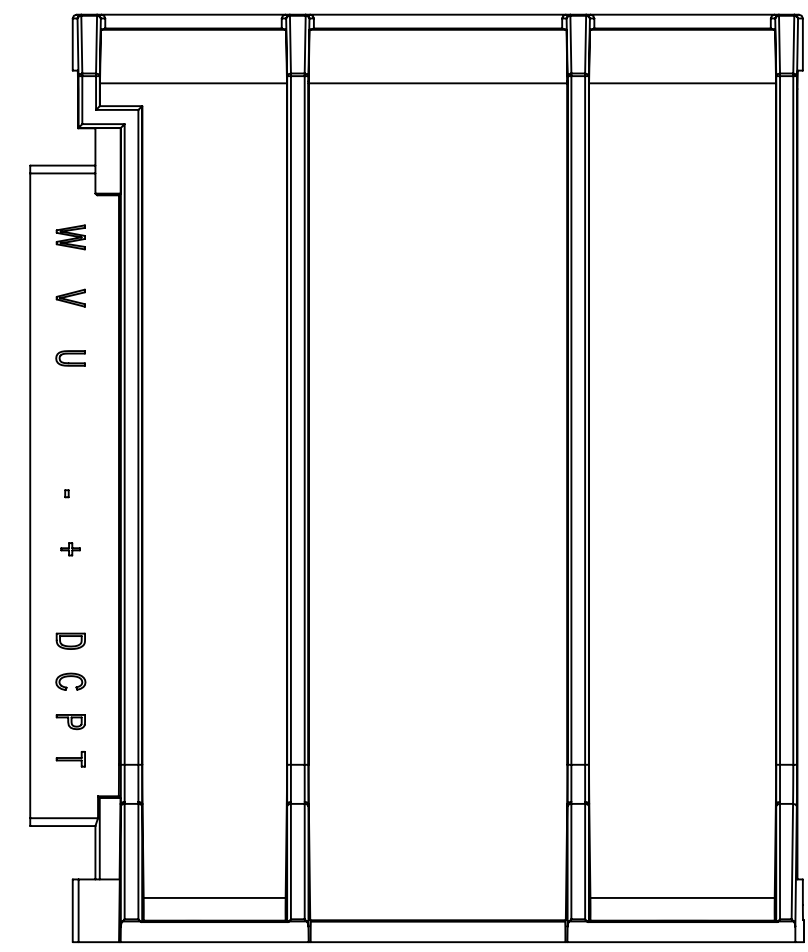
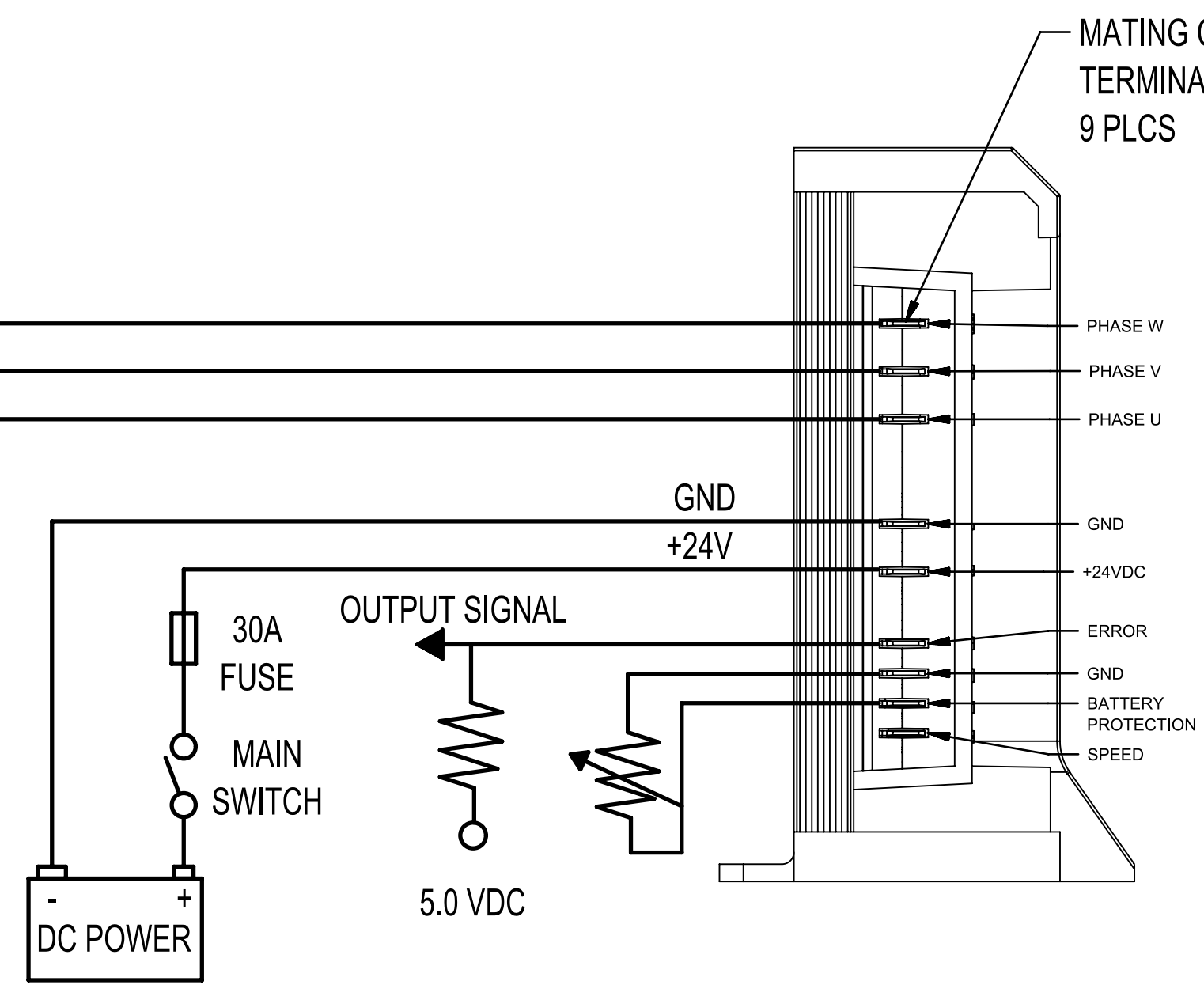


RPM	VARIABLE RESISTOR	DIGITAL SIGNAL
	RESISTOR Ω	5V FREQUENCY Hz
1680	850	56
2400	1200	80
3000	1500	100
3600	1800	120
4200	2100	140
4800	2400	160
5400	2700	180
6000	3000	200

DWG NO.
DEM0059

MATING CONNECTORS
TERMINAL - AMP PN 60851-1
9 PLCS



NOTE:
1. 30A FUSE RECOMMENDED.
FUSE IS NOT SUPPLIED WITH CONTROLLER

ENGLISH

Q.A. SYMBOLS

- ★ = CATEGORY I
- ▲ = CATEGORY II
- = CATEGORY III
- = CATEGORY IV

MX - ATLAS

REL	EC81041	CHANGE	DATE	----
<small>THIS DRAWING OR PRINT (1:1) IS THE PROPERTY OF MASTERFLUX AND CONTAINS PROPRIETARY AND CONFIDENTIAL INFORMATION. IT IS TO BE USED ONLY FOR THE SPECIFIC CONDITION FOR WHICH IT WAS DESIGNED OR MADE AVAILABLE TO YOU. NO OTHER INFORMATION CONTAINED HEREIN SHALL BE DISCLOSED OR MADE AVAILABLE TO ANY OTHER PARTY WITHOUT THE WRITTEN CONSENT OF MASTERFLUX. ANY SUCH INFORMATION DISCLOSED OR MADE AVAILABLE TO ANY OTHER PARTY WITHOUT THE WRITTEN CONSENT OF MASTERFLUX SHALL BE DEEMED TO BE UNLAWFUL. THIS DRAWING IS NOT TO BE COPIED OR REPRODUCED IN ANY MANNER WITHOUT THE WRITTEN CONSENT AND SIGNATURE OF THE DESIGNER AND APPROVED BY THE DESIGNER AND APPROVED BY THE DESIGNER AND APPROVED BY THE DESIGNER. ANY SUCH INFORMATION DISCLOSED OR MADE AVAILABLE TO ANY OTHER PARTY WITHOUT THE WRITTEN CONSENT OF MASTERFLUX SHALL BE DEEMED TO BE UNLAWFUL. THIS DRAWING IS NOT TO BE COPIED OR REPRODUCED IN ANY MANNER WITHOUT THE WRITTEN CONSENT AND SIGNATURE OF THE DESIGNER AND APPROVED BY THE DESIGNER AND APPROVED BY THE DESIGNER.</small>				
DWN: RDS		CK. ON FILE	APR. ON FILE	SCALE 1=1 & NOTED
12OCT17		MASTERFLUX		THIS PRINT SUPERSEDES ALL PRINTS PRIOR TO
MATERIAL		NOTED		DWG NO. DEM0059