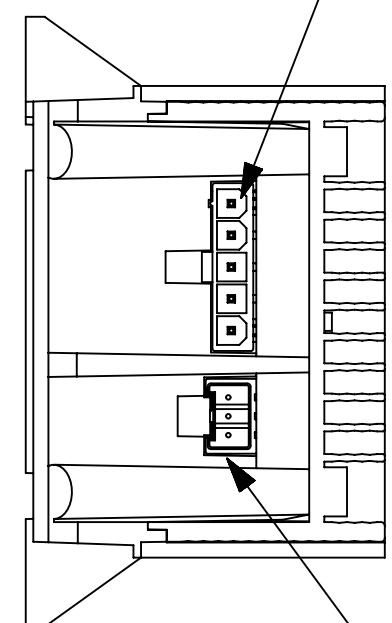
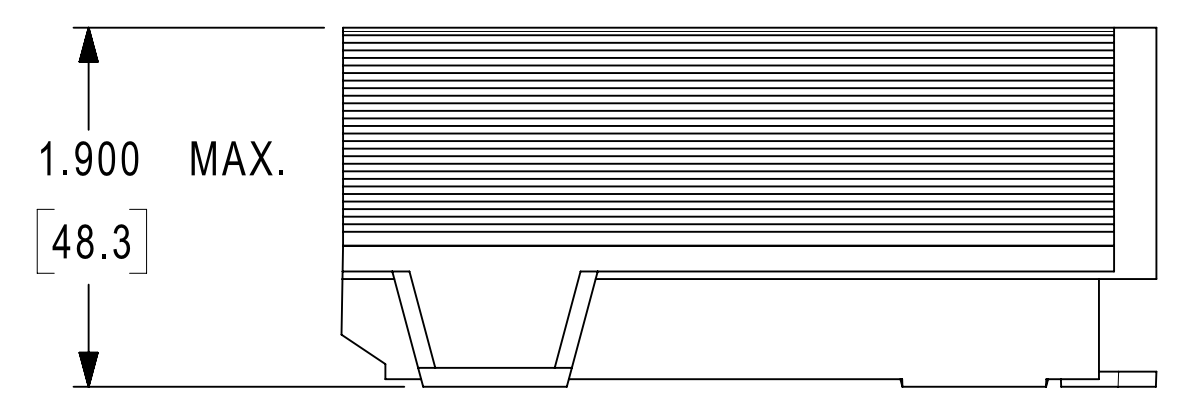
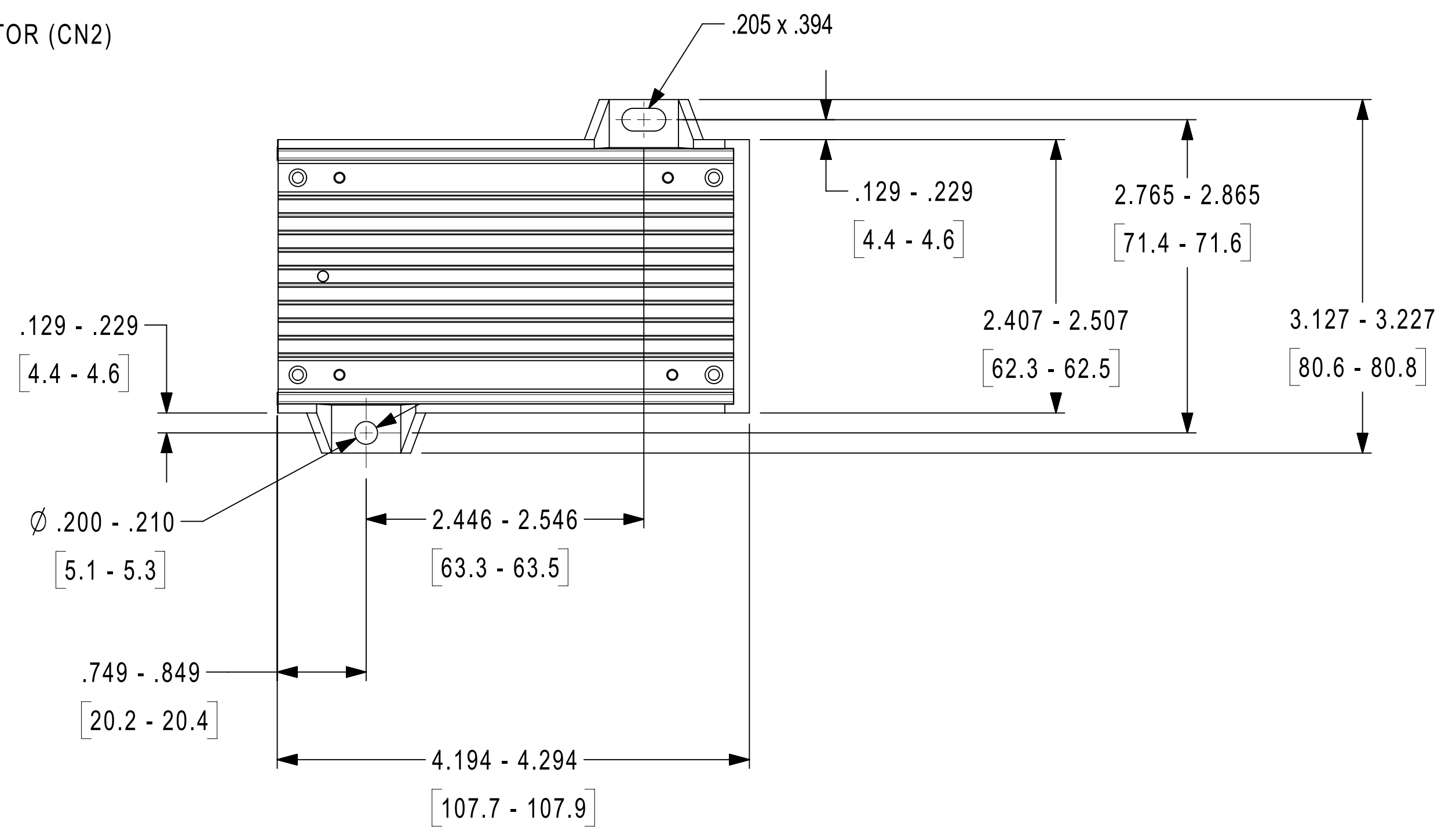


POWER IN AND COMPRESSOR POWER CONNECTOR (CN2)
MATING CONNECTOR
HOUSING - MOLEX PN 39-01-4051
TERMINAL - MOLEX PN 39-00-0079



SIGNAL CONNECOTR (CN3)
MATING CONNECTOR
HOUSING - MOLEX PN 0511630300
TERMINAL - 0503518000
RETAINER - 0511640305



ENGLISH

Q.A. SYMBOLS

- ★ = CATEGORY I
- ▲ = CATEGORY II
- = CATEGORY III
- = CATEGORY IV

MX - MESA

REL	LT	LC	CHANGE	DATE	----	THIS DRAWING OR PRINT (1:1) IS THE PROPERTY OF MESA FLUOROCHEMICALS COMPANY. IT IS THE PROPERTY OF MESA FLUOROCHEMICALS COMPANY AND CONTAINS PROPRIETARY AND CONFIDENTIAL INFORMATION. IT IS NOT TO BE REPRODUCED, COPIED, OR DISCLOSED IN ANY MANNER WITHOUT THE WRITTEN CONSENT OF MESA FLUOROCHEMICALS COMPANY. ANY UNAUTHORIZED DISCLOSURE OR USE OF THIS INFORMATION SHALL BE SUBJECT TO LEGAL ACTION. THIS DRAWING IS THE PROPERTY OF MESA FLUOROCHEMICALS COMPANY AND IS NOT TO BE REPRODUCED, COPIED, OR DISCLOSED IN ANY MANNER WITHOUT THE WRITTEN CONSENT OF MESA FLUOROCHEMICALS COMPANY. ANY UNAUTHORIZED DISCLOSURE OR USE OF THIS INFORMATION SHALL BE SUBJECT TO LEGAL ACTION.	DIS.CODE	DESCRIPTION	DRAWING, SALES, CONTROLLER, MECHANICAL, MESA, 100/220 VAC				THIS PRINT SUPERSEDES ALL PRINTS PRIOR TO DWG NO. DGMX0090
								DWN.	CK.	APR.	SCALE		
							RDS	ON FILE	ON FILE	1=1 & NOTED			
							MASTERFLUX						
							MATERIAL						
							NOTED						