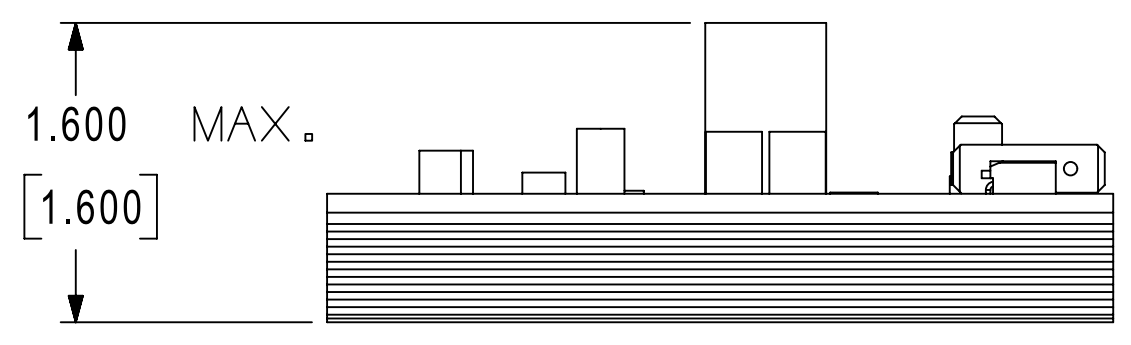
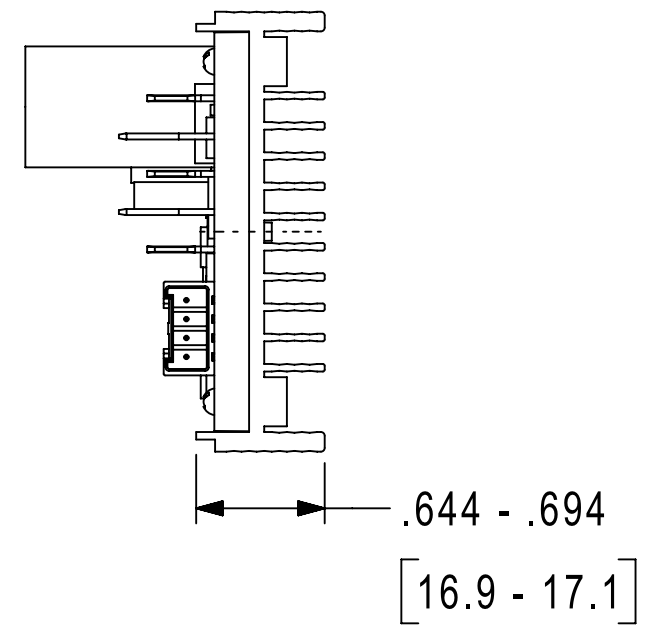


POWER IN AND COMPRESSOR POWER CONNECTORS (CN2)
 MATING CONNECTOR
 250 SERIES FASTON RECEPTACLE

SIGNAL CONNECTOR (CN3)
 MATING CONNECTOR
 HOUSING - MOLEX PN 0511630400
 TERMINAL - 0503518000
 RETAINER - 0511640405

4x Ø .152 - .162 THROUGH
 [3.9 - 4.1]
 MOUNTING HOLES



ENGLISH

Q. A. SYMBOLS

- ★ = CATEGORY I
- ▲ = CATEGORY II
- = CATEGORY III
- = CATEGORY IV

MX - MESA

REL	EC98283	LT	LC	CHANGE	DATE	----	THIS DRAWING OR PRINT (1:1) IS THE PROPERTY OF MESA ELECTRONIC COMPANY. IT IS THE PROPERTY OF MESA ELECTRONIC COMPANY AND IS NOT TO BE REPRODUCED, COPIED, OR TRANSMITTED IN ANY FORM OR BY ANY MEANS, WITHOUT THE WRITTEN CONSENT OF MESA ELECTRONIC COMPANY. ANY UNAUTHORIZED USE OF THIS DRAWING OR PRINT IS PROHIBITED.	DWS 03JUN20	CK. ON FILE	APR. ON FILE	SCALE 1=1 & NOTED	THIS PRINT SUPERSEDES ALL PRINTS PRIOR TO
DRAWING, SALES, CONTROLLER, MECHANICAL, MESA, 24/48 VDC							DWS 03JUN20	CK. ON FILE	APR. ON FILE	SCALE 1=1 & NOTED	THIS PRINT SUPERSEDES ALL PRINTS PRIOR TO	
MATERIAL NOTED							DWS 03JUN20	CK. ON FILE	APR. ON FILE	SCALE 1=1 & NOTED	THIS PRINT SUPERSEDES ALL PRINTS PRIOR TO	
DGMX0098							DGMX0098					